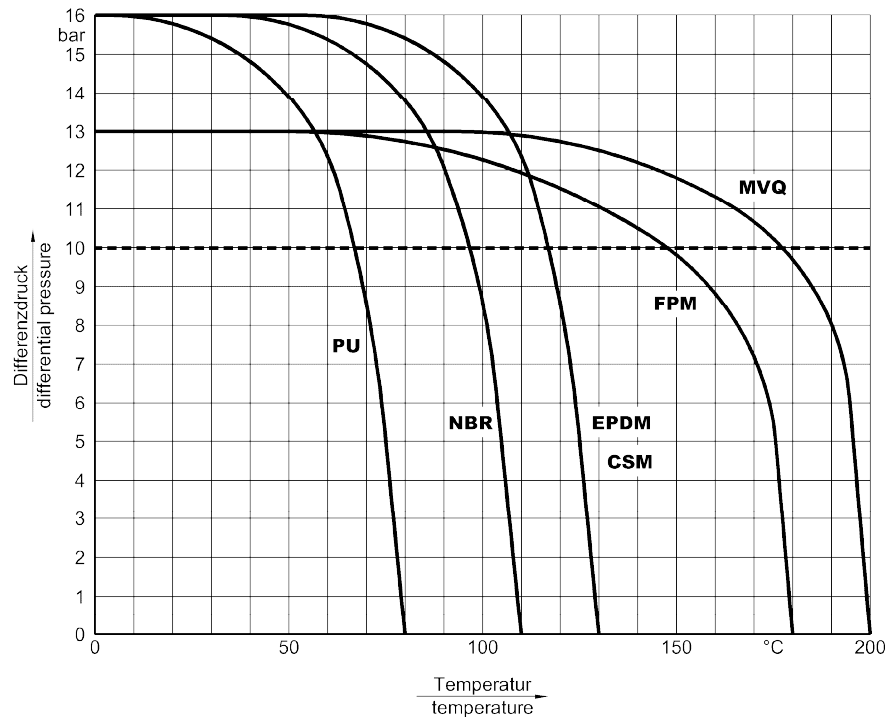


Introduction

The following information and instructions are important for perfect installation and safe operation of the valve. Prior to installation and initial use of the valve, the qualified staff in charge of installing and operating the valve has to be instructed according to this information.

Proper use

The soft-seated butterfly valve series K may only be used to stop, throttle and control media flows within the permissible pressure/temperature limits.



From DN 200 the use of seats with higher shore hardness is necessary at a differential pressure of more than 13 bar.

Lug type valves:

Max. differential pressure 6 bar for valves used in an end-of-line function.

KG2 / KG4, K11 DN 50 – DN 150,

KG9 66.. DN 200 – DN 300

and valves from DN 600:

Max. differential pressure 10 bar.

The suitability of the product-related parts used and their chemical resistance properties have to be clarified before start-up of the plant. The usual flow rate must not be exceeded. Vibrations, water hammers and cavitation as well as abrasive components result in damage of the valve and affect its service life.

Valves must not be used to support the pipeline nor as a step-up.

This includes the different kinds of operation like hand levers, gear operators, actuators, feedback and control systems.

When using a hand lever, handwheel and manual emergency operation, take care that there is enough space for a proper operation.

Earthing the valve

If the butterfly valve is supplied with anti-static device and used in potentially explosive zones, the earthing strap supplied with the valve must be connected effectively at site with the potential compensation cable before the valve is put into operation.

Transport and storage

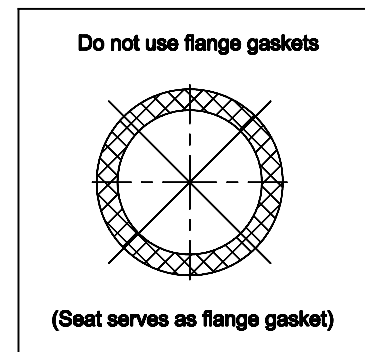
The valve must be transported and stored dry and clean.
In humid rooms, a drying material or heating must be used to avoid condensation.
During transport and intermediate storage the butterfly valve should not be outside a temperature range of -15°C and +30°C.
The transport packaging protects the valve against soiling and damage. Impact and vibrations must be avoided.
The outer paintwork (coating) must remain undamaged, otherwise the faulty spots must be repaired immediately.
The factory-adjusted basic setting (position of the disc at delivery) must not be changed.

Conditions for mounting the valve

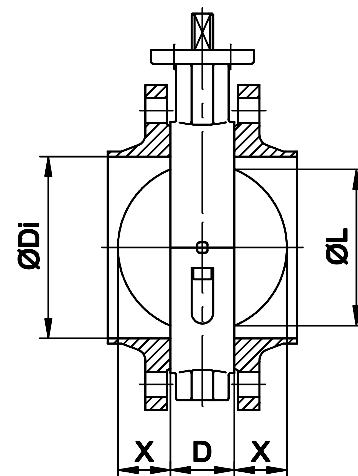
The soft-seated butterfly valve series K is installed between pipeline flanges acc. to DIN2501 or ANSI B16.5.
The pipeline must not have any axial or angular offset, since otherwise the disc could be damaged and the seat can become deformed, which is not permitted.

The seat of the GEFA butterfly valve has a sealing lip.
Due to this seat design the butterfly valve is "self-sealing" to the flanges and does not require additional flange gaskets.
Pre-condition: The flange sealing surfaces have been checked to make sure that they have a smooth surface structure.
Residues (welding beads) must be removed.
No cross marks may be visible.

The "clearance" of the mating flanges - including inner coating- has to be sufficient to allow the disc to be fully opened without touching ($\text{ØDi} \geq \text{ØL} + 6 \text{ mm}$).
This must be checked before the valve is installed and compared with the space necessary for the valve according to the table.



DN	D	ØL	X
50	43	33	6
65	46	48	10
80	46	64	17
100	52	91	27
125	56	117	37
150	56	137	46
200	60	190	70
250	68	240	91
300	78	290	111
350	78	330	131
400	102	377	144
500	127	475	182
600	149	567	215
700	169	665	255
800	189	763	295
900	209	859	334
1000	229	967	378



Transport packaging

Transport packaging protects the interior of the valve from soiling and damage.
Do not remove the packaging until the valve is going to be installed.

Installation position

Basically the butterfly valve series K can be installed in any position. The recommended position, however, is with the shaft being horizontal.
The lower disc edge should open in flow direction.

Installation

The soft-seated butterfly valve series K has to be switched to a slightly angled position. The position of the disc must be within the face-to-face dimension of the valve.

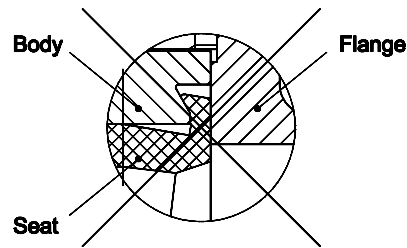
Spread the mating flanges and insert the valve carefully between the flanges.

If the pipeline is to be welded at site, temporary fitting blocks should be installed instead of the butterfly valve, since flying sparks and welding residues can damage the seat due to high temperatures. Never leave the butterfly valve installed when welding of the pipeline/flanges has to be completed.

Center the butterfly valve using the flange screws. The outside diameter of the valve body is used for full centering!

NOTE!

If the valve is inserted incorrectly between the flanges, the seat can become displaced and destroyed.



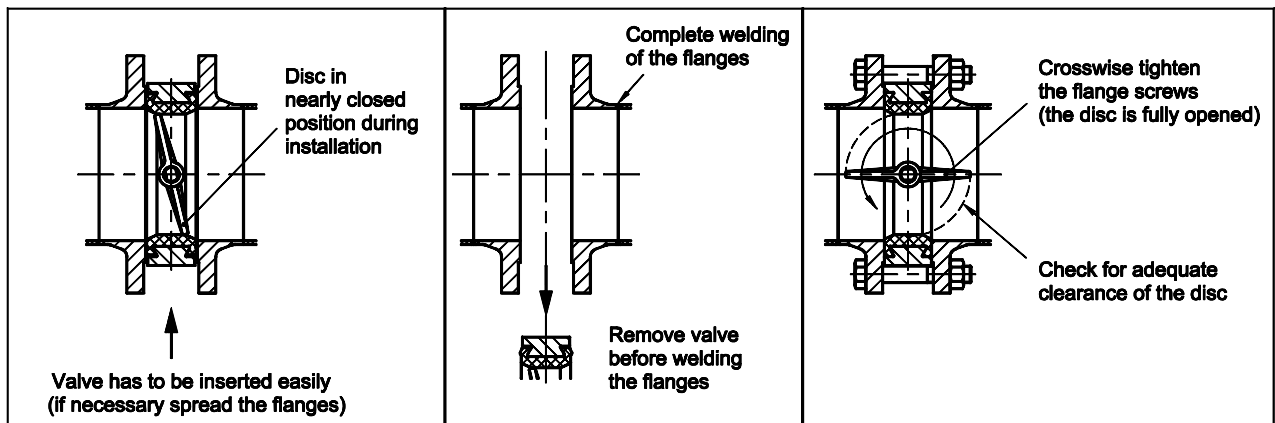
Remove the flange-spreaders and tighten the flange screws slightly and evenly crosswise with the disc fully opened.

During this procedure, check that the valve is centered between the mating flanges.

Open and close the valve several times and cross-tighten the flange screws once again with the disc in closed position. (Tightening torque: please refer to below table).

Check that the disc has adequate clearance.

When installing the lug type butterfly valve as end-in-line valve, the free port must be secured by a blind flange.



Tightening torque for flange screws

DN	40	50	65	80	100	125	150	200	250	300	350	400	500	600	700	800	900	1000
NPS	1 ½"	2"	2 ½"	3"	4"	5"	6"	8"	10"	12"	14"	16"	20"	24"	28"	32"	36"	40"
Tightening torque [Nm]	85	85	85	85	85	85	165	165	165	165	165	285	285	415	415	570	570	760

Mounting of actuators

It must be ensured that the actuator is centred on the valve shaft.
The weight of a mounted actuator must not place a one-sided load on the shaft of the valve:
if necessary actuators must be supported without fixing.
External loads must not be applied to actuators, this can damage or destroy the valve.

Initial operation

The butterfly valve has been tested for leakage using air or water. Residues of the test medium may still be on the contact surfaces of the valve. Possible reactions with the operating medium must be observed.
Prior to initial operation, the pipeline must be flushed effectively with the valve fully opened to eliminate soiling and to avoid damage to the sealing surfaces. The valve must not be switched during the flushing process.

During a system pressure test the following pressures must not be exceeded:

1,5 x PN with disc in open position
1,1 x PN with disc in closed position

Impermissible operation

Never operate the butterfly valve without actuating devices and/or locking of the shaft.
Do not operate the valve in the cavitation area.
Do not exceed the pressure/temperature range.
Avoid all foreign particles on the sealing surfaces.

Removing the valve

Before removing the butterfly valve make sure that the pipe section is depressurised and evacuated.
In case of toxic, caustic and other outgassing media the pipe section must also be ventilated.
Safety classification is the responsibility of the system operator.

The butterfly valve is removed by loosening the flange screws and sufficient spreading of the mating flanges.

The valve disc must be closed at an angle within the face-to-face dimension of the valve to prevent damage to the disc. Actuators either have to be dismantled before the valve is removed or they have to be secured against unauthorized or unintentional operation.

Disposal / repair of the valve

After having removed the valve it has to be disassembled and cleaned to prevent injuries caused by residues of the medium.
If the valve is returned to the manufacturer, a safety data sheet relating to the media must be included.

Subject to modifications without notice.

Edition: 2015-03-18

Maintenance

- The valves do not require any special maintenance.

Disassembly

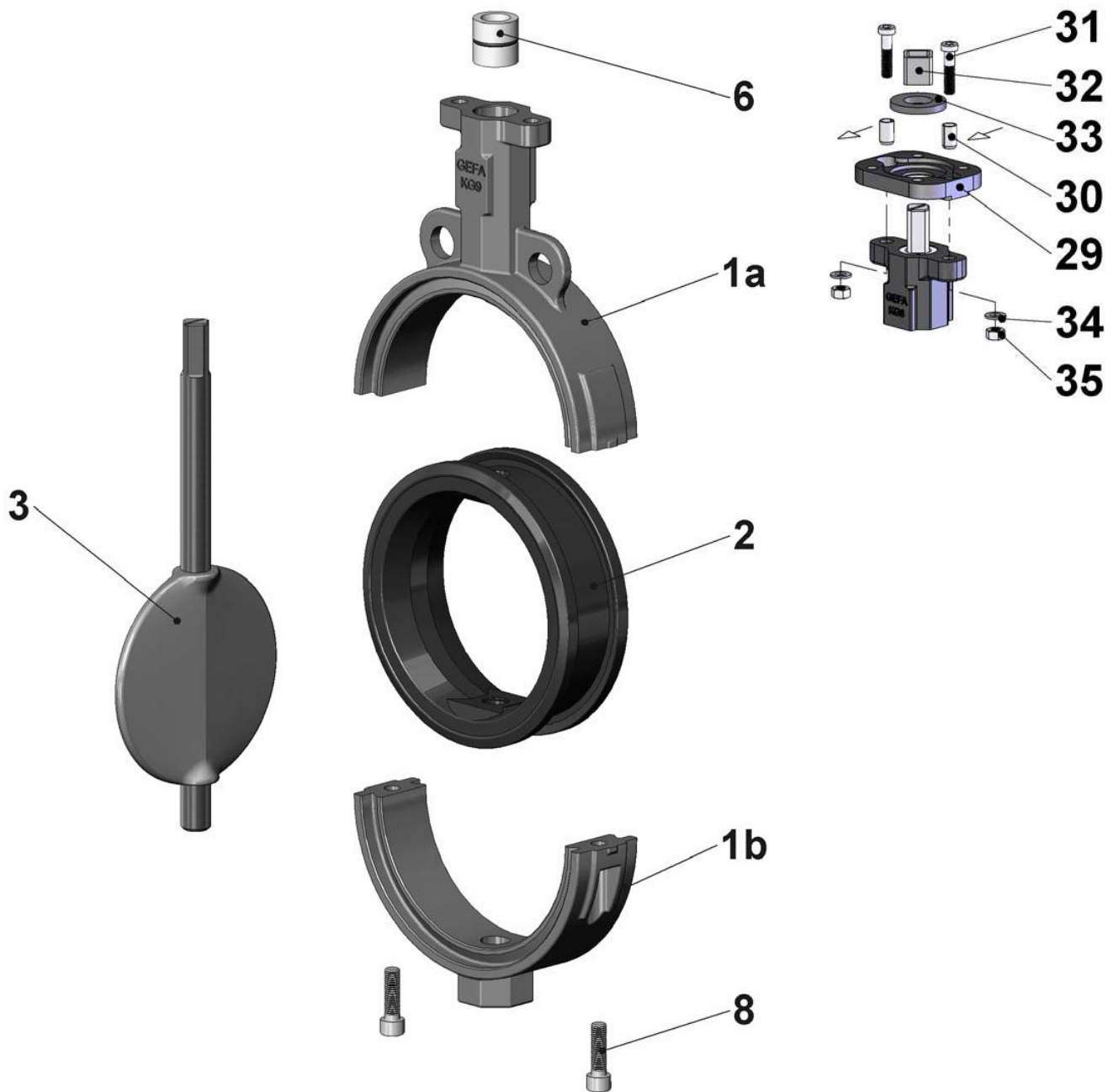
- Valves with hand lever:
Loosen the lateral screw joint of the hand lever and pull the hand lever off the valve stem (3).
If only the seat (2) or the disc (3) have to be replaced, the throttle plate can be left mounted.
Remove the throttle plate by loosening the screws to replace the bearing (6).
- Valves with actuator:
Loosen the fastening screws between the MULTITOP mounting plate (29) and the actuator or between the valve and the bracket and remove the actuator to replace the bearing (6).
Remove the MULTITOP mounting plate (29) from the valve by loosening the fastening screws (31) and the clamping sleeves (30).
If only the seat (2) or the disc (3) has to be replaced, the actuator may remain on the valve.
- Turn the disc to "OPEN" position.
- Loosen and remove the two body screws (8).
- Pull off the lower part of the body (1b). Once the body screws (8) have been removed, this is only held by the dovetail of the seat (2). Use two screwdrivers in the body splits to pull off the bottom part with a rotating motion.
- Pull the disc (3) and seat (2) out of the upper part of the body (1a).
- In order to remove the disc (3) from the seat (2), deform the seat into a long oval until the short end of the shaft can be cleared. Using a rotating motion the long end of the shaft can now be removed from the seat shaft hole.
- Check all part for flawless condition and renew them, if required. Only use original GEFA spare parts.

Assembly

- Thoroughly clean all parts and check them for wear. Parts that show wear or corrosion must be replaced to ensure operational safety in future. If possible use silicone oil for assembly.
- Insert the long end of the valve shaft (3) into a shaft hole of the seat (2) by using a rotating motion.
- Turn the disc (3) to "OPEN" position and deform the seat again into a long oval until the short end of the shaft can be inserted easily into the shaft hole of the seat.
- Insert the long shaft end of the "disc-shaft-seat unit" (2+3) into the upper part of the body (1a). Push the dovetail of the seat into the body's contour of the dovetail.
- Assemble the upper and lower part of the body (1a/1b) and fasten them with the body screws (8).
Each body half has a small moulded cam at the body split that shows the correct position of the body halves in relation to each other.
- Insert the bearing with the O-rings (6) into the upper body part (1a) if the bearing has to be replaced.
- After the assembly the disc has to be switched for several times (at least 4x) by 180°.
- Check the seat and the stem tightness. Test pressure 1.1 times nominal pressure.
- Valves with hand lever:
Fix the throttle plate loosely on the top flange. Insert the hand lever onto the shaft and position the throttle plate. Tighten the screws of the throttle plate and fix the lever in place using the collateral screw joint.
- Valves with actuator:
Place the complete actuator unit in position, align and fix by using the screws.

Mounting of the MULTITOP mounting plate.

- Position the mounting plate (29) on the body.
- Insert the spring dowel sleeves (30) through the mounting plate into the body. The slot in the spring dowel sleeve must point in the force direction (see arrow in the assembly drawing) to achieve a rigid connection. Do not insert the mounting plate without using spring dowel sleeves, as the transverse forces cannot be absorbed by the screws.
- Insert the cylinder screws (31) and tighten them.
- Slide a square adapter (32) onto the stem, if required. Prevent the square adapter from sliding down the stem by using the attached washer (33), if required.



- | | | | |
|----|------------------------|----|-------------------------|
| 1a | Upper part of the body | 29 | MULTITOP mounting plate |
| 1b | Lower part of the body | 30 | Spring dowel sleeve |
| 2 | Seat | 31 | Cylinder screw |
| 3 | Disc | 32 | Square adapter |
| 6 | Bearing with O-ring | 33 | Retaining washer |
| 8 | Body screw | 34 | Washer |
| | | 35 | Hexagonal nut |