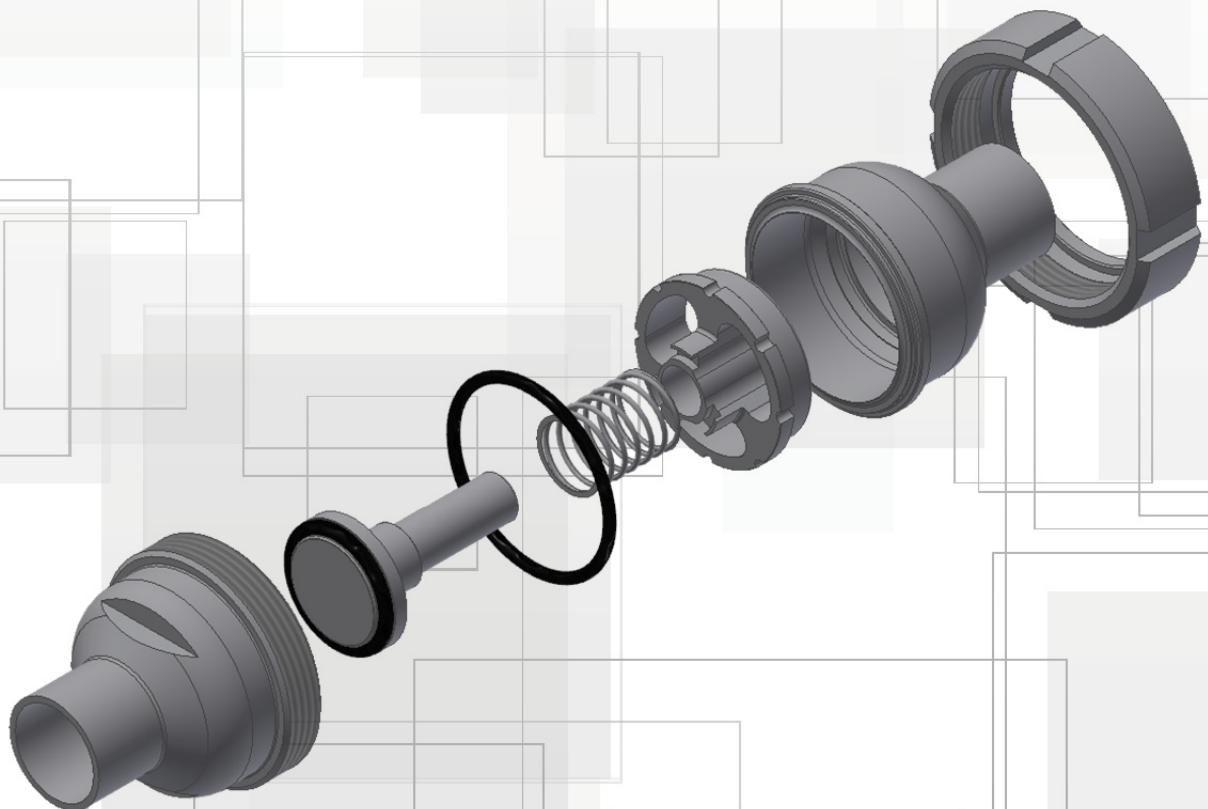


## bio-plus® Tellerrückschlagventil

## bio-plus® Disc non-return Valve



liquitec AG  
Industrie Neuhof 54  
CH-3422 Kirchberg

T +41 55 450 83 00  
F +41 55 450 83 01

info@liquitec.ch  
www.liquitec.ch

## Inhaltsverzeichnis

### Index of Contents

1	Technische Daten / Technical Data.....	3
2	bio-plus® Tellerrückschlagventil geschraubt mit Schweissende nach DIN11866 / bio-plus® Disc non-return Valve screwed with weld-end acc. DIN11866 .....	5
3	bio-plus® Tellerrückschlagventil geschraubt mit Clamp Anschluss nach DIN32676 / bio-plus® Disc non-return Valve screwed with Clamp acc. DIN32676 .....	6
4	bio-plus® Tellerrückschlagventil geflanscht mit Schweissende nach DIN11866 / bio-plus® Disc non-return Valve flanged with weld-end acc. DIN11866 .....	7
5	bio-plus® Tellerrückschlagventil geflanscht mit Clamp Anschluss nach DIN32676 / bio-plus® Disc non-return Valve flanged with clamp acc. DIN32676.....	8
6	bio-plus® Ersatzteilset zu Tellerrückschlagventil* bio-plus® Spare Part Set to Disc non-return Valve* .....	9
7	Bestellschlüssel / Ordering Key.....	10
8	Rohranschluss-Tabelle 009 / Table of Pipe Connections 009.....	13

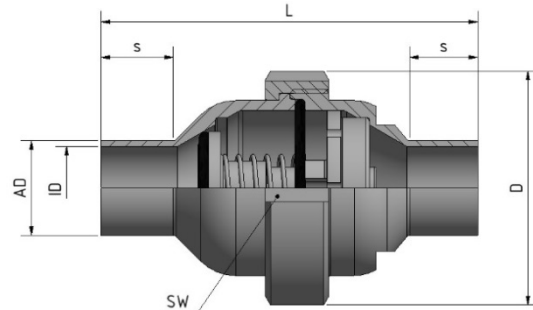
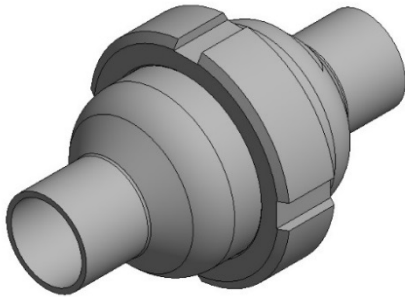
## 1 Technische Daten

### Technical Data

<b>Standard-Baugrößen</b>	<ul style="list-style-type: none"> <li>• DIN04 – DIN150</li> <li>• ISO06 – ISO150</li> <li>• OD<math>\frac{1}{4}</math>" – OD6"</li> </ul>
<b>Werkstoffe</b>	Produktberührt: <ul style="list-style-type: none"> <li>• Gehäuse: 1.4435 BN2 (316L)</li> <li>• Schliesstellerdichtung: EPDM (Standard), Sonderdichtwerkstoffe gem. Bestellschlüssel</li> <li>• Feder: 1.4401</li> <li>• Sonderwerkstoffe wie z.B. 2.4602, Titan, 1.4539 etc. gem. Bestellschlüssel</li> </ul>
<b>Dichtungswerkstoffe</b>	Standarddichtungen: <ul style="list-style-type: none"> <li>• EPDM</li> <li>• FEP / Silikon</li> <li>• FKM</li> <li>• Sonderdichtwerkstoffe gem. Bestellschlüssel</li> </ul>
<b>Oberflächen</b>	Produktberührte Oberflächen: <ul style="list-style-type: none"> <li>• elektropoliert Ra &lt; 0,6µm</li> <li>• andere Oberflächen gem. Bestellschlüssel</li> </ul> Nicht Produktberührte Oberflächen: <ul style="list-style-type: none"> <li>• elektropoliert Ra &gt; 1,6µm</li> </ul>
<b>Rückverfolgbarkeit</b>	Alle produktberührenden Teile markiert mit Artikelnummer, Werkstoff und Chargennummer
<b>Medien</b>	Gase und Flüssigkeiten
<b>Betriebsdruck</b>	<ul style="list-style-type: none"> <li>• DIN04 – DIN40 = 25 bar</li> <li>• DIN50 – DIN100 = 16 bar</li> <li>• DIN125 – DIN150 = 8 bar</li> <li>• ISO06 – DIN25 = 25 bar</li> <li>• ISO32 – ISO80 = 16 bar</li> <li>• ISO100 = 10 bar</li> <li>• ISO125 – ISO150 = 8 bar</li> <li>• OD<math>\frac{1}{4}</math>" – OD1<math>\frac{1}{2}</math>" = 25 bar</li> <li>• OD2" – OD4" = 16 bar</li> <li>• OD5" – OD6" = 8 bar</li> <li>• Sonderbetriebsdrücke auf Anfrage</li> </ul>
<b>Betriebstemperatur Dichtungswerkstoffe</b>	<ul style="list-style-type: none"> <li>• EPDM: -40°C bis +150°C, kurzzeitig bis +160°C</li> <li>• FEP (Silikonkern): -60°C bis +200°C, kurzzeitig bis +230°C</li> </ul>
<b>Öffnungsdruck</b>	<ul style="list-style-type: none"> <li>• Standard Öffnungsdruck: 0.2bar</li> <li>• Sonderöffnungsdrücke auf Anfrage: (0.036 bis 3.0 bar)</li> </ul>
<b>Normen</b>	Rohranschlussmaße (Schweissende): <ul style="list-style-type: none"> <li>• DIN (DIN11866-A)</li> <li>• ISO (DIN11866-B)</li> <li>• OD (DIN11866-C)</li> </ul> Rohranschlussmaße (Clamp Anschluss): <ul style="list-style-type: none"> <li>• DIN (DIN32676-A)</li> <li>• ISO (DIN32676-B)</li> <li>• OD (DIN32676-C)</li> </ul>
<b>Zertifikate</b>	Produktberührende Teile: <ul style="list-style-type: none"> <li>• EN 10204 / 3.1</li> </ul> Produktberührende Dichtungen: <ul style="list-style-type: none"> <li>• FDA-Konformität, USP-Class VI, TSE-frei</li> </ul>

<b>Standard sizes</b>	<ul style="list-style-type: none"> <li>• DIN04 - DIN150</li> <li>• ISO06 - ISO150</li> <li>• OD<math>\frac{1}{4}</math>" – OD6"</li> </ul>
<b>Material</b>	Product contact: <ul style="list-style-type: none"> <li>• Housing: 1.4435 BN2 (316L)</li> <li>• Closing disc seal: EPDM, Special materials acc. ordering key</li> <li>• Spring: 1.4401</li> <li>• Special material for ex. 2.4602, Titan, 1.4539 etc. acc. ordering key</li> </ul>
<b>Gasket</b>	<ul style="list-style-type: none"> <li>• EPDM</li> <li>• FEP (Silicone core)</li> <li>• FKM</li> <li>• Special materials acc. ordering key</li> </ul>
<b>Surface quality</b>	Medium contacted: <ul style="list-style-type: none"> <li>• electro polished Ra &lt; 0,6<math>\mu</math>m</li> <li>• other qualities acc. ordering key</li> </ul> Non medium contacted: <ul style="list-style-type: none"> <li>• electro polished Ra &gt; 1,6<math>\mu</math>m</li> </ul>
<b>Tracability</b>	Product contacted material marked with article no., material and heat no.
<b>Media</b>	Gases and liquids
<b>Operating pressure</b>	<ul style="list-style-type: none"> <li>• DIN04 - DIN40 = 25 bar</li> <li>• DIN50 – DIN100 = 16 bar</li> <li>• DIN125 – DIN150 = 8 bar</li> <li>• ISO06 – DIN25 = 25 bar</li> <li>• ISO32 – ISO80 = 16 bar</li> <li>• ISO100 = 10 bar</li> <li>• ISO125 – ISO150 = 8 bar</li> <li>• OD<math>\frac{1}{4}</math>" - OD1<math>\frac{1}{2}</math>" = 25 bar</li> <li>• OD2" – OD4" = 16 bar</li> <li>• OD5" – OD6" = 8 bar</li> <li>• Special operating pressures on demand.</li> </ul>
<b>Operating temperature gaskets</b>	<ul style="list-style-type: none"> <li>• EPDM: -40°C to +150°C, short time up +160°C</li> <li>• FEP/ Sil: -60°C to +200°C, short time up +230°C</li> </ul>
<b>Opening pressure</b>	<ul style="list-style-type: none"> <li>• Standard opening pressure: 0.2bar</li> <li>• Special opening pressure on demand (0.036 to 3.0 bar)</li> </ul>
<b>Standards</b>	Tube dimension (weld-end): <ul style="list-style-type: none"> <li>• DIN (DIN11866-A)</li> <li>• ISO (DIN11866-B)</li> <li>• OD (DIN11866-C)</li> </ul> TC dimension (Clamp Connection): <ul style="list-style-type: none"> <li>• DIN (DIN32676-A)</li> <li>• ISO (DIN32676-B)</li> <li>• OD (DIN32676-C)</li> </ul>
<b>Certification</b>	Medium contacted: <ul style="list-style-type: none"> <li>• EN 10204 / 3.1</li> </ul> Medium contacted Gaskets: <ul style="list-style-type: none"> <li>• FDA-conform, USP-Class VI, TSE-free</li> </ul>

**2 bio-plus® Tellerrückschlagventil geschraubt** mit Schweissende nach DIN11866  
**bio-plus® Disc non-return Valve screwed** with weld-end acc. DIN11866

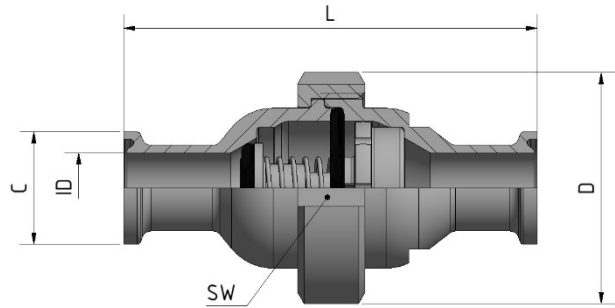
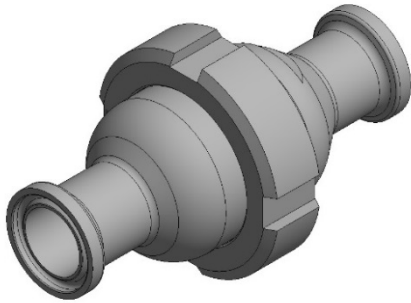


d

	Größe Size	Artikel-Nr. Article-No.	AD [mm]	ID [mm]	L [mm]	S [mm]	D [mm]	SW [mm]	Gewicht Weight [kg]
DIN Abmessung DIN Dimension	DIN04	RM.V04.35.0.0.C	6.00	4.00	92.00	18.00	52.00	*46.00	
	DIN06	RM.V06.35.0.0.C	8.00	6.00	92.00	18.00	52.00	*46.00	
	DIN08	RM.V08.35.0.0.C	10.00	8.00	92.00	18.00	52.00	*46.00	
	DIN10	RM.V10.35.0.0.C	13.00	10.00	92.00	18.00	52.00	*46.00	
	DIN15	RM.V15.35.0.0.C	19.00	16.00	92.00	18.00	52.00	*46.00	
	DIN20	RM.V20.35.0.0.C	23.00	20.00	105.00	18.00	67.00	*61.00	
DIN25	RM.V25.35.0.0.C	29.00	26.00	105.00	18.00	67.00	*61.00		
ISO Abmessung ISO Dimension	ISO06	RM.W06.35.0.0.C	10.20	7.00	94.00	18.00	52.00	*46.00	
	ISO08	RM.W08.35.0.0.C	13.50	10.30	92.00	18.00	52.00	*46.00	
	ISO10	RM.W10.35.0.0.C	17.20	14.00	92.00	18.00	52.00	*46.00	
	ISO15	RM.W15.35.0.0.C	21.30	18.10	92.00	20.00	52.00	*46.00	
	ISO20	RM.W20.35.0.0.C	26.90	23.70	107.00	20.00	67.00	*61.00	
	ISO25	RM.W25.35.0.0.C	33.70	29.70	105.00	20.00	67.00	*61.00	
OD Abmessung OD Dimension	OD $\frac{1}{4}$ "	RM.Y02.35.0.0.C	6.35	4.57	92.00	18.00	52.00	*46.00	
	OD $\frac{3}{8}$ "	RM.Y03.35.0.0.C	9.53	7.75	92.00	18.00	52.00	*46.00	
	OD $\frac{1}{2}$ "	RM.Y05.35.0.0.C	12.70	9.40	92.00	18.00	52.00	*46.00	
	OD $\frac{3}{4}$ "	RM.Y07.35.0.0.C	19.05	15.75	92.00	18.00	52.00	*46.00	
	OD1"	RM.Y10.35.0.0.C	25.40	22.10	105.00	18.00	67.00	*61.00	

\*für Hakenschlüssel

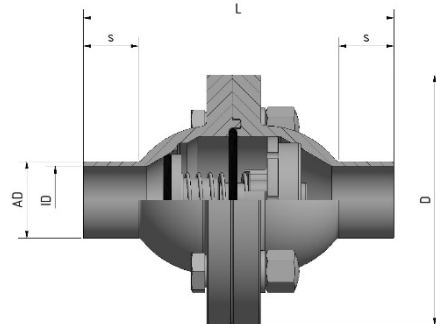
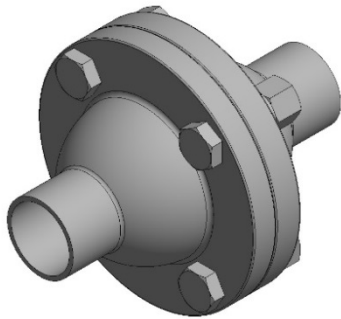
**3 bio-plus® Tellerrückschlagventil geschraubt** mit Clamp Anschluss nach DIN32676  
**bio-plus® Disc non-return Valve screwed** with Clamp acc. DIN32676



	Größe Size	Artikel-Nr. Article-No.	C [mm]	ID [mm]	L [mm]		D [mm]	SW [mm]	Gewicht Weight [kg]
DIN Abmessung DIN Dimension	DIN04	RN.V04.35.0.0.C	25.00	4.00	92.00		52.00	*46.00	
	DIN06	RN.V06.35.0.0.C	25.00	6.00	92.00		52.00	*46.00	
	DIN08	RN.V08.35.0.0.C	25.00	8.00	92.00		52.00	*46.00	
	DIN10	RN.V10.35.0.0.C	25.00	10.00	92.00		52.00	*46.00	
	DIN15	RN.V15.35.0.0.C	34.00	16.00	92.00		52.00	*46.00	
	DIN20	RN.V20.35.0.0.C	34.00	20.00	105.00		67.00	*61.00	
	DIN25	RN.V25.35.0.0.C	50.50	26.00	105.00		67.00	*61.00	
ISO Abmessung ISO Dimension	ISO06	RN.W06.35.0.0.C	25.00	7.00	92.00		52.00	*46.00	
	ISO08	RN.W08.35.0.0.C	25.00	10.30	92.00		52.00	*46.00	
	ISO10	RN.W10.35.0.0.C	25.00	14.00	92.00		52.00	*46.00	
	ISO15	RN.W15.35.0.0.C	50.50	18.10	92.00		52.00	*46.00	
	ISO20	RN.W20.35.0.0.C	50.50	23.70	105.00		67.00	*61.00	
	ISO25	RN.W25.35.0.0.C	50.50	29.70	105.00		67.00	*61.00	
OD Abmessung OD Dimension	OD $\frac{1}{4}$ "	RN.Y02.35.0.0.C	25.00	4.57	92.00		52.00	*46.00	
	OD $\frac{3}{8}$ "	RN.Y03.35.0.0.C	25.00	7.75	92.00		52.00	*46.00	
	OD $\frac{1}{2}$ "	RN.Y05.35.0.0.C	25.00	9.40	92.00		52.00	*46.00	
	OD $\frac{3}{4}$ "	RN.Y07.35.0.0.C	25.00	15.75	92.00		52.00	*46.00	
	OD1"	RN.Y10.35.0.0.C	50.50	22.10	105.00		67.00	*61.00	

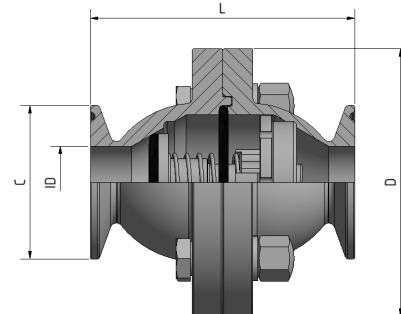
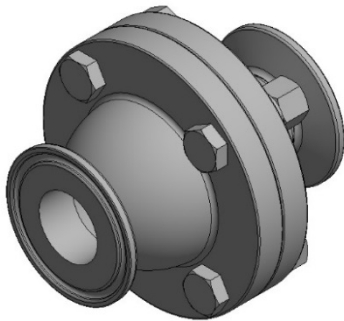
\*für Hakenschlüssel

**4 bio-plus® Tellerrückschlagventil geflanscht mit Schweissende nach DIN11866**  
**bio-plus® Disc non-return Valve flanged with weld-end acc. DIN11866**



	Größe Size	Artikel-Nr. Article-No.	AD [mm]	ID [mm]	L [mm]	S [mm]	D [mm]		Gewicht Weight [kg]
DIN Abmessung DIN Dimension	DIN10	RM.V10.FLK.35.0.0.C	13.00	10.00	92.00	20.00	88.00		
	DIN15	RM.V15.FLK.35.0.0.C	29.00	16.00	92.00	20.00	88.00		
	DIN20	RM.V20.FLK.35.0.0.C	23.00	20.00	109.00	20.00	88.00		
	DIN25	RM.V25.FLK.35.0.0.C	29.00	26.00	105.00	20.00	88.00		
	DIN32	RM.V32.FLK.35.0.0.C	35.00	32.00	105.00	22.00	125.00		
	DIN40	RM.V40.FLK.35.0.0.C	41.00	38.00	119.00	20.00	125.00		
	DIN50	RM.V50.FLK.35.0.0.C	53.00	50.00	146.00	25.00	137.00		
	DIN65	RM.V65.FLK.35.0.0.C	70.00	66.00	141.00	25.00	168.00		
	DIN80	RM.V80.FLK.35.0.0.C	85.00	81.00	177.00	30.00	194.00		
	DIN100	RM.V100.FLK.35.0.0.C	104.00	100.00	179.00	30.00	240.00		
	DIN125	RM.V125.FLK.35.0.0.C	129.00	125.00	208.00	30.00	300.00		
DIN150	RM.V150.FLK.35.0.0.C	154.00	150.00	248.00	30.00	360.00			
ISO Abmessung ISO Dimension	ISO10	RM.W10.FLK.35.0.0.C	17.20	14.00	89.30	20.00	88.00		
	ISO15	RM.W15.FLK.35.0.0.C	21.30	18.10	89.30	20.00	88.00		
	ISO20	RM.W20.FLK.35.0.0.C	26.90	23.70	109.00	20.00	88.00		
	ISO25	RM.W25.FLK.35.0.0.C	33.70	29.70	105.00	20.00	88.00		
	ISO32	RM.W32.FLK.35.0.0.C	42.40	38.40	119.00	20.00	125.00		
	ISO40	RM.W40.FLK.35.0.0.C	48.30	44.30	137.00	20.00	137.00		
	ISO50	RM.W50.FLK.35.0.0.C	60.30	56.30	137.00	20.00	137.00		
	ISO65	RM.W65.FLK.35.0.0.C	76.10	72.10	152.00	25.00	168.00		
	ISO80	RM.W80.FLK.35.0.0.C	88.90	84.30	180.00	25.00	190.00		
	ISO100	RM.W100.FLK.35.0.0.C	114.30	109.70	176.00	30.00	240.00		
	ISO125	RM.W125.FLK.35.0.0.C	139.70	134.50	198.00	30.00	300.00		
ISO150	RM.W150.FLK.35.0.0.C	168.30	163.10	248.00	30.00	360.00			
OD Abmessung OD Dimension	OD1/2"	RM.Y05.FLK.35.0.0.C	12.70	9.40	103.00	25.40	88.00		
	OD3/4"	RM.Y07.FLK.35.0.0.C	19.05	15.75	103.00	25.40	88.00		
	OD1"	RM.Y10.FLK.35.0.0.C	25.40	22.10	122.00	25.40	88.00		
	OD1 1/2"	RM.Y15.FLK.35.0.0.C	38.10	34.80	163.00	38.10	137.00		
	OD2"	RM.Y20.FLK.35.0.0.C	50.80	47.50	161.00	38.10	137.00		
	OD2 1/2"	RM.Y25.FLK.35.0.0.C	63.50	60.20	163.00	38.10	168.00		
	OD3"	RM.Y30.FLK.35.0.0.C	76.20	72.90	151.00	38.10	168.00		
	OD4"	RM.Y40.FLK.35.0.0.C	101.60	97.38	200.00	38.10	240.00		
	OD6"	RM.Y60.FLK.35.0.0.C	152.40	146.86	248.00	38.10	360.00		

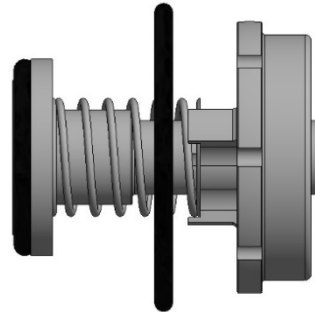
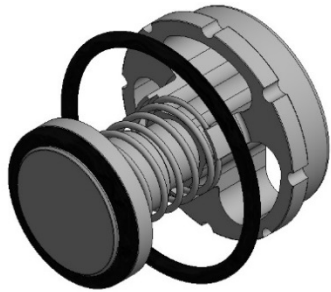
**5 bio-plus® Tellerrückschlagventil geflanscht mit Clamp Anschluss nach DIN32676**  
**bio-plus® Disc non-return Valve flanged with clamp acc. DIN32676**



	Größe Size	Artikel-Nr. Article-No.	C [mm]	ID [mm]	L [mm]		D [mm]		Gewicht Weight [kg]
DIN Abmessung DIN Dimension	DIN10	RN.V10.FLK.35.0.0.C	25.00	10.00	75.00		88.00		
	DIN15	RN.V15.FLK.35.0.0.C	50.50	16.00	75.00		88.00		
	DIN20	RN.V20.FLK.35.0.0.C	50.50	20.00	87.00		88.00		
	DIN25	RN.V25.FLK.35.0.0.C	50.50	26.00	87.00		88.00		
	DIN32	RN.V32.FLK.35.0.0.C	50.50	32.00	87.00		125.00		
	DIN40	RN.V40.FLK.35.0.0.C	50.50	38.00	107.00		125.00		
	DIN50	RN.V50.FLK.35.0.0.C	64.00	50.00	114.00		137.00		
	DIN65	RN.V65.FLK.35.0.0.C	91.00	66.00	111.00		168.00		
	DIN80	RN.V80.FLK.35.0.0.C	106.00	81.00	149.00		194.00		
	DIN100	RN.V100.FLK.35.0.0.C	119.00	100.00	153.00		240.00		
	DIN125	RN.V125.FLK.35.0.0.C	125.00	125.00	188.00		300.00		
DIN150	RN.V150.FLK.35.0.0.C	183.00	150.00			360.00			
ISO Abmessung ISO Dimension	ISO10	RN.W10.FLK.35.0.0.C	50.50	14.00	75.00		88.00		
	ISO15	RN.W15.FLK.35.0.0.C	50.50	18.10	75.00		88.00		
	ISO20	RN.W20.FLK.35.0.0.C	50.50	23.70	87.00		88.00		
	ISO25	RN.W25.FLK.35.0.0.C	50.50	29.70	87.00		88.00		
	ISO32	RN.W32.FLK.35.0.0.C	64.00	38.40	99.00		125.00		
	ISO40	RN.W40.FLK.35.0.0.C	64.00	44.30	114.00		137.00		
	ISO50	RN.W50.FLK.35.0.0.C	77.50	56.30	104.00		137.00		
	ISO65	RN.W65.FLK.35.0.0.C	91.00	72.10	113.00		168.00		
	ISO80	RN.W80.FLK.35.0.0.C	106.00	84.30	149.00		190.00		
	ISO100	RN.W100.FLK.35.0.0.C	130.00	109.70	155.00		240.00		
	ISO125	RN.W125.FLK.35.0.0.C	155.00	134.50	188.00		300.00		
ISO150	RN.W150.FLK.35.0.0.C	183.00	163.10			360.00			
OD Abmessung OD Dimension	OD1/2"	RN.Y05.FLK.35.0.0.C	25.00	9.40	75.00		88.00		
	OD3/4"	RN.Y07.FLK.35.0.0.C	50.50	15.75	75.00		88.00		
	OD1"	RN.Y10.FLK.35.0.0.C	50.50	22.10	87.00		88.00		
	OD1 1/2"	RN.Y15.FLK.35.0.0.C	50.50	34.80	107.00		137.00		
	OD2"	RN.Y20.FLK.35.0.0.C	64.00	47.50	114.00		137.00		
	OD2 1/2"	RN.Y25.FLK.35.0.0.C	77.50	60.20	119.00		168.00		
	OD3"	RN.Y30.FLK.35.0.0.C	91.00	72.90	111.00		168.00		
	OD4"	RN.Y40.FLK.35.0.0.C	119.00	97.38	155.00		240.00		
	OD6"	RN.Y60.FLK.35.0.0.C	167.00	146.86			360.00		



## 6 bio-plus® Ersatzteilset zu Tellerrückschlagventil\* bio-plus® Spare Part Set to Disc non-return Valve\*



Bezeichnung Description	DIN11866A DIN	DIN11866B ISO	DIN11866C OD	Art.-Nr. EPDM Art.-No. EPDM
Grösse 1	DIN04 DIN06 DIN08 DIN10 DIN15	ISO06 ISO08 ISO10 ISO15	OD1/4" OD3/8" OD1/2" OD3/4"	RC.W15.35.0.0.C
Grösse 2	DIN20 DIN25 DIN32	ISO20 ISO25	OD1"	RC.W20.35.0.0.C
Grösse 3	DIN40	ISO32	OD1 1/2"	RC.W32.35.0.0.C
Grösse 4	DIN50	ISO40 ISO50	OD2" OD2 1/2"	RC.W50.35.0.0.C
Grösse 5	DIN65	ISO65	OD3"	RC.W65.35.0.0.C
Grösse 6	DIN80	ISO80		RC.W80.35.0.0.C
Grösse 7	DIN100	ISO100	OD4"	RC.W100.35.0.0.C
Grösse 8	DIN125	ISO125		RC.W125.35.0.0.C
Grösse 9	DIN150	ISO150	OD6"	RC.W150.35.0.0.C

\*bestehend aus Innenteil mit Dichtung, Feder, Stützflansch und O-Ring

## 7 Bestellschlüssel Ordering Key

### 1. Artikel / Article

<b>RM</b>	Tellerrückschlagventil kompl. mit Schweissende nach DIN 11866 / Disc non-return Valve compl. with weld-end acc. DIN 11866
<b>RN</b>	Tellerrückschlagventil kompl. mit Clamp Anschluss nach DIN 32676 / Disc non-return Valve compl. with clamp acc. DIN 32676
<b>RC</b>	Ersatzteilset zu Tellerrückschlagventil Schliessteller EPDM / Spare part set to Disc non-return Valve closing disc EPDM

### 2. Norm / Standard

<b>V</b>	DIN Abmessung / DIN Dimension
<b>W</b>	ISO Abmessung / ISO Dimension
<b>Y</b>	OD Abmessung / OD Dimension

### 2.1

### Nennweite / Nominal Size

(siehe Rohranschluss-Tabelle 009 /  
see table of pipe connections 009)

<b>02</b>	Nennweite DN02 / Nominal Size DN02
<b>03</b>	Nennweite DN03 / Nominal Size DN03
<b>04</b>	Nennweite DN04 / Nominal Size DN04
<b>05</b>	Nennweite DN05 / Nominal Size DN05
<b>06</b>	Nennweite DN06 / Nominal Size DN06
<b>08</b>	Nennweite DN08 / Nominal Size DN08
<b>10</b>	Nennweite DN10 / Nominal Size DN10
<b>15</b>	Nennweite DN15 / Nominal Size DN15
<b>20</b>	Nennweite DN20 / Nominal Size DN20
<b>25</b>	Nennweite DN25 / Nominal Size DN25
<b>30</b>	Nennweite DN30 / Nominal Size DN30
<b>32</b>	Nennweite DN32 / Nominal Size DN32
<b>40</b>	Nennweite DN40 / Nominal Size DN40
<b>50</b>	Nennweite DN50 / Nominal Size DN50
<b>60</b>	Nennweite DN60 / Nominal Size DN60
<b>65</b>	Nennweite DN65 / Nominal Size DN65
<b>80</b>	Nennweite DN80 / Nominal Size DN80
<b>100</b>	Nennweite DN100 / Nominal Size DN100
<b>125</b>	Nennweite DN125 / Nominal Size DN125
<b>150</b>	Nennweite DN150 / Nominal Size DN150

### 3. Verbindung / Connection

<b>-</b>	bio-plus® Verschraubung / bio-plus® Screw (Standard)
<b>FLK</b>	bio-plus® Flanschverbindung / bio-plus® Flange Connection

### 4. Material / Material

<b>04</b>	1.4404 (316L)
<b>35</b>	1.4435 BN2
<b>39</b>	1.4539
<b>22</b>	2.4602 (Hastelloy C22)
<b>A2</b>	A2 – Befestigungs- & Sicherungselemente / A2 – Mounting & Retaining Parts

**5. Dichtungsmaterial Schliess-  
teller**  
Seal Material Closing Disc

0	EPDM (Standardausrüstung für Baugruppen / Standard for Assemblies)
2	FKM (Viton)
3	FEP / Sil (Silikonkern / Silicone core)
6	PTFE rein / PTFE pure

**5.1 Verschraubter Ventilteller**  
Screwed Valve Seat

v	Verschraubter Ventilteller / Screwed Valve Seat
---	---

**6. Dichtungsmaterial Gehäusedichtung / Seal Material Housing Seal**

0	EPDM (Standardausrüstung für Baugruppen / Standard for Assemblies)
1	Silikon / Silicone
2	FKM (Viton)
3	FEP / Sil (Silikonkern / Silicone core)
4	PEEK
5	FFKM (Kalrez)
6	PTFE rein / PTFE pure
7	FEP / EPDM (EPDM-Kern / EPDM core)
8	FEP / FKM (FKM-Kern / FKM core)

**7. Oberfläche / Surface**

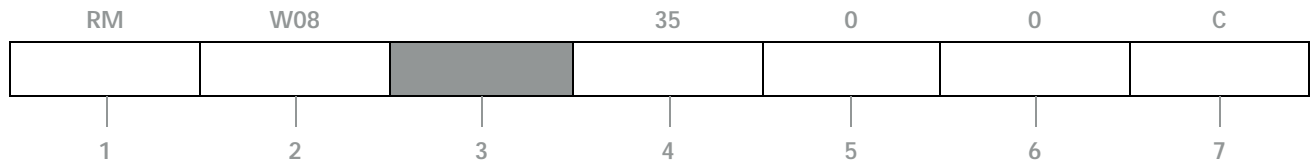
C	Innenoberfläche Ra 0.6; elektropoliert / Internal Surface Ra 0.6; electropolished
E	Innenoberfläche Ra 0.4; elektropoliert / Internal Surface Ra 0.6; electropolished

weitere Oberflächen auf Anfrage / other surfaces on request

**bio-plus® Tellerrückschlagventil (Ausführung mit Verschraubung)**

bio-plus® Disc non-return Valve (Execution with Screw Union)

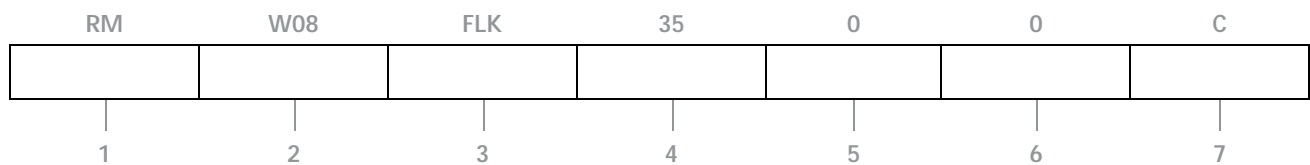
Bestellbeispiel / Ordering example: RM.W08.35.0.0.C



**bio-plus® Tellerrückschlagventil (Ausführung mit Flanschverbindung)**

bio-plus® Disc non-return Valve (Execution with Flange Union)

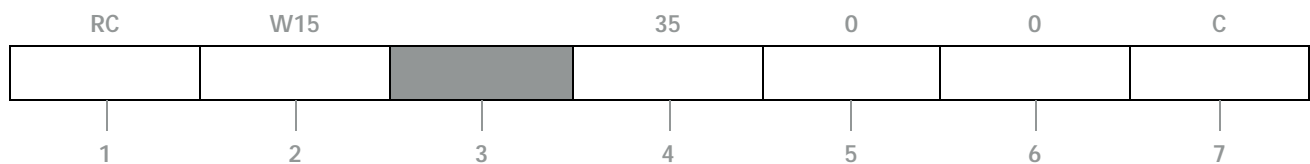
Bestellbeispiel / Ordering example: RM.W08.FLK.35.0.0.C



**bio-plus® Ersatzteilset zu Tellerrückschlagventil**

bio-plus® Spare part set Disc non-return Valve

Bestellbeispiel / Ordering example: RC.W15.35.0.0.C



## 8 Rohranschluss-Tabelle 009

### Table of Pipe Connections 009

Nennweite Nominal Size	DIN 11866		
	Reihe A (DIN) Series A (DIN)	Reihe B (ISO) Series B (ISO)	Reihe C (OD) Series C (OD)
02			ø6.35x0.89
03			ø9.53x0.89
04	ø6.00x1.00		
05			ø12.70x1.65
06	ø8.00x1.00	ø10.20x1.60	
07			ø19.05x1.65
08	ø10.00x1.00	ø13.50x1.60	
10	ø13.00x1.50	ø17.20x1.60	ø25.40x1.65
15	ø19.00x1.50	ø21.30x1.60	ø38.10x1.65
20	ø23.00x1.50	ø26.90x1.60	ø50.80x1.65
25	ø29.00x1.50	ø33.70x2.00	ø63.50x1.65
30			ø76.20x1.65
32	ø35.00x1.50	ø42.40x2.00	
40	ø41.00x1.50	ø48.30x2.00	ø101.60x2.11
50	ø53.00x1.50	ø60.30x2.00	
60			ø152.40x2.77
65	ø70.00x2.00	ø76.10x2.00	
80	ø85.00x2.00	ø88.90x2.30	
100	ø104.00x2.00	ø114.30x2.30	
125	ø129.00x2.00	ø139.70x2.60	
150	ø154.00x2.00	ø168.30x2.60	

Maß- und Konstruktionsänderungen vorbehalten. Revisionsdatum: 11/17  
 Specifications and design are subject to change without notice. Date of revision: 11/17