

BOLTED TYPE 30° SEAT

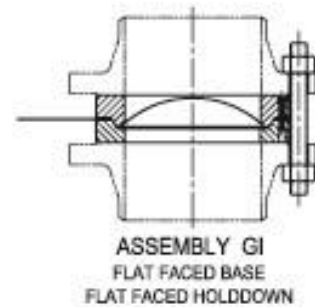
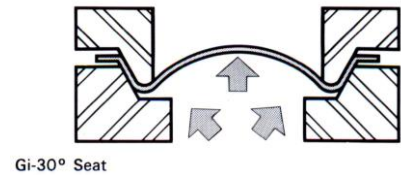
DESCRIPTION

The bolted type 30° seat bursting disc holders are designed to be used with conventional prebulged solid metal bursting discs, conventional prebulged composite bursting discs, and scored angular seat bursting discs.

Typically a bursting disc holder is a two-piece unit consisting of a base flange (inlet) and a holddown flange (outlet). The mating faces of this holder are machined to hold the bursting disc and, together with the disc, form a leaktight metal-to-metal seal.

FEATURES AND BENEFITS

- Available in welding, threaded connections, or bolted ISO or ANSI companion flanges configurations
- Can be installed between the companion flanges as pre-assembly
- Available in a wide range of sizes, configurations and materials
- Complete line of accessories is available



APPROVALS:

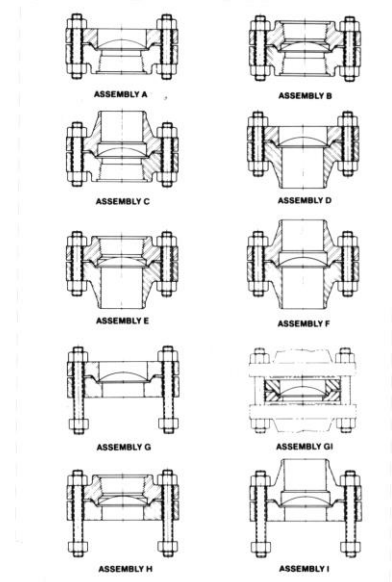
- CE
- UD



SPECIFICATIONS

Bolted type holders are available in the following combinations:

Assembly A	Threaded base	-	Flat-faced holddown
Assembly B	Threaded base	-	Threaded holddown
Assembly C	Threaded base	-	Welding holddown
Assembly D	Welding base	-	Flat-faced holddown
Assembly E	Welding base	-	Threaded holddown
Assembly F	Welding base	-	Welding holddown
Assembly G	Flat-faced base	-	Flat-faced holddown
Assembly Gi	Flat-faced base	-	Flat-faced holddown
Assembly H	Flat-faced base	-	Threaded holddown
Assembly I	Flat-faced base	-	Welding holddown



(1) “G Insert” type bursting disc holders are supplied with a method of preassembly so the bursting disc may be installed at a workbench or some other convenient location. Once the disc is in place the unit may be assembled and installed into the line, minimizing the chance of damage to the bursting disc.

(A) Flexible gaskets are not recommended for use between companion flanges and “G Insert” holders. However, when the minimum bolt load required to provide an adequate clamping of the disc is maintained and is compatible with the maximum non-flow compression characteristics of the gaskets, then flexible gaskets may be used.

(B) Carbon steel and 316 Stainless steel are the standard materials of construction. Monel[®], Inconel[®] 600, Hastelloy B/C and other materials can be supplied.



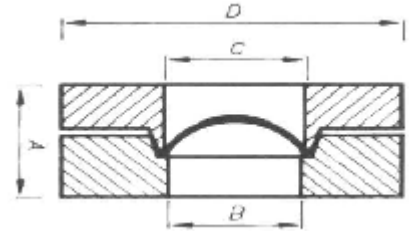
DIMENSIONS: BOLTED TYPE GI

Notes:

(1) All holders marked with (*) are provided with side clips, all others are provided with stainless steel pre-assembly screws.

(2) For minimal size holders 6"/DN150 and larger the crown of the bursting disc may extend above the holder. Consult Fike in cases where this is not acceptable.

(3) The crown of the bursting disc is not contained by the outlet holders in sizes 4 inch and larger for the G Insert Assembly.



INCH	ANSI				DIN					Gi 30°				Approx. weight in kg
	ANSI	BOLTS			DN	PN	BOLTS			Ø D	Height A ±2 (2)	Ø B	Ø C	
Qty	Size in "	L in "	Qty	Size			L in mm	Ø D	Height A ±2 (2)					Ø B
1/2	150	4	1/2	4	15	6	4	M10	95	44	41	12.7	12.7	0.45
1/2	300/600	4	1/2	4.75	15	10-40	4	M12	110	51	41	12.7	12.7	0.60
					15	64-100	4	M12	120	61	41	12.7	12.7	0.90
*3/4	150	4	1/2	4.25	*20	6	4	M10	105	54	43	19.1	19.1	0.70
					20	10-40	4	M10	115	61	43	19.1	19.1	0.90
3/4	300/600	4	5/8	5.25						64	43	19.1	19.1	1.00
1	150	4	1/2	4.25	25	6	4	M10	105	63	43	25.4	25.4	0.90
					25	10-40	4	M12	115	70	43	25.4	25.4	1.10
1	300/600	4	5/8	5.25	25	64-100	4	M16	135	81	43	25.4	25.4	1.60
					25	64-100	4	M16	135	81	43	25.4	25.4	1.60
1 1/2	150	4	1/2	4.5						82	43	38.1	38.1	1.40
					40	6	4	M12	105	86	43	38.1	38.1	1.60
1 1/2	300/600	4	3/4	6	40	10-40	4	M16	120	92	43	38.1	38.1	1.85
					40	64-100	4	M20	145	101	43	38.1	38.1	2.30
*2	150	4	5/8	5						101	43	52.4	63.5	1.80
*2	300LL	8	5/8	6						106	43	52.4	63.5	2.10
											106	43	52.4	63.5
*2	600HL	8	5/8	6	*50	10-40	4	M16	125	106	43	52.4	63.5	2.10
					50	64	4	M20	145	111	43	52.4	63.5	2.40
					50	100	4	M24	155	117	43	52.4	63.5	2.70
					50	100	4	M24	155	117	43	52.4	63.5	2.70
*3	150	1	5/8	5.25	*80	6	4	M16	115	132	43	77.8	90.5	2.70
					*80	10-40	8	M16	120	141	43	77.8	90.5	3.40
3	300/600	8	3/4	6.25	80	64	8	M20	145	146	43	77.8	90.5	3.80
					80	100	8	M24	160	152	43	77.8	90.5	4.20
					*100	10-16	8	M16	125	162	43	102.4	115.9	3.80
					*100	25-40	8	M20	140	166	43	102.4	115.9	4.10
4	150	8	5/8	5.25						171	43	102.4	115.9	4.60
					*100	64	8	M24	155	174	43	102.4	115.9	4.90
4	300	8	3/4	6.25						177	43	102.4	115.9	5.10
					*100	100	8	M27	160	178	43	102.4	115.9	5.25
4	600	8	7/8	7.5						190	43	102.4	115.9	6.40
6	150	8	3/4	6.25	150	10-16	8	M20	150	217	56	154.0	154.8	8.10
					*150	25-40	8	M24	160	224	56	154.0	154.8	9.10
6	300	12	3/4	7	150	64	8	M30	195	247	56	154.0	154.8	12.90
					150	100	12	M30	210	256	56	154.0	154.8	14.40
6	600	12	1	9						263	56	154.0	154.8	15.70
					200	10-16	8/12	M20	150	273	56	203.2	203.2	11.50
8	150	8	3/4	6.5						276	56	203.2	203.2	12.00
					200	25	12	M24	170	282	56	203.2	203.2	13.20
					200	40	12	M27	185	289	56	203.2	203.2	14.60



8	300	12	7/8	6.75						305	56	203.2	203.2	17.80
					200	64	12	M33	210	308	60	203.2	203.2	19.80
8	600	12	1 1/8	10						317	60	203.2	203.2	21.90
					200	100	12	M33	230	324	60	203.2	203.2	23.50
					*250	6	12	M16	145	317	60	254.0	261.5	12.60
					*250	10	12	M20	165	328	60	254.0	261.5	15.20
					*250	16	12	M24	165	328	60	254.0	261.5	15.20
10	150	12	7/8	6.75						336	60	254.0	261.5	17.20
					*250	25	12	M27	185	340	60	254.0	261.5	18.20
					*250	40	12	M30	200	351	60	254.0	261.5	21.00
10	300	16	1	8.5						358	60	254.0	261.5	22.80
					*300	6	12	M20	150	373	60	304.8	304.8	17.10
					*300	10	12	M20	145	376	60	304.8	304.8	17.90
					*300	16	12	M24	170	384	60	304.8	304.8	20.20
					300	25	16	M27	195	400	60	304.8	304.8	27.70
12	150	12	7/8	7.5						406	60	304.8	304.8	26.60
12	300	16	1 1/8	9.5	300	40	16	M30	215	417	67	304.8	304.8	33.40