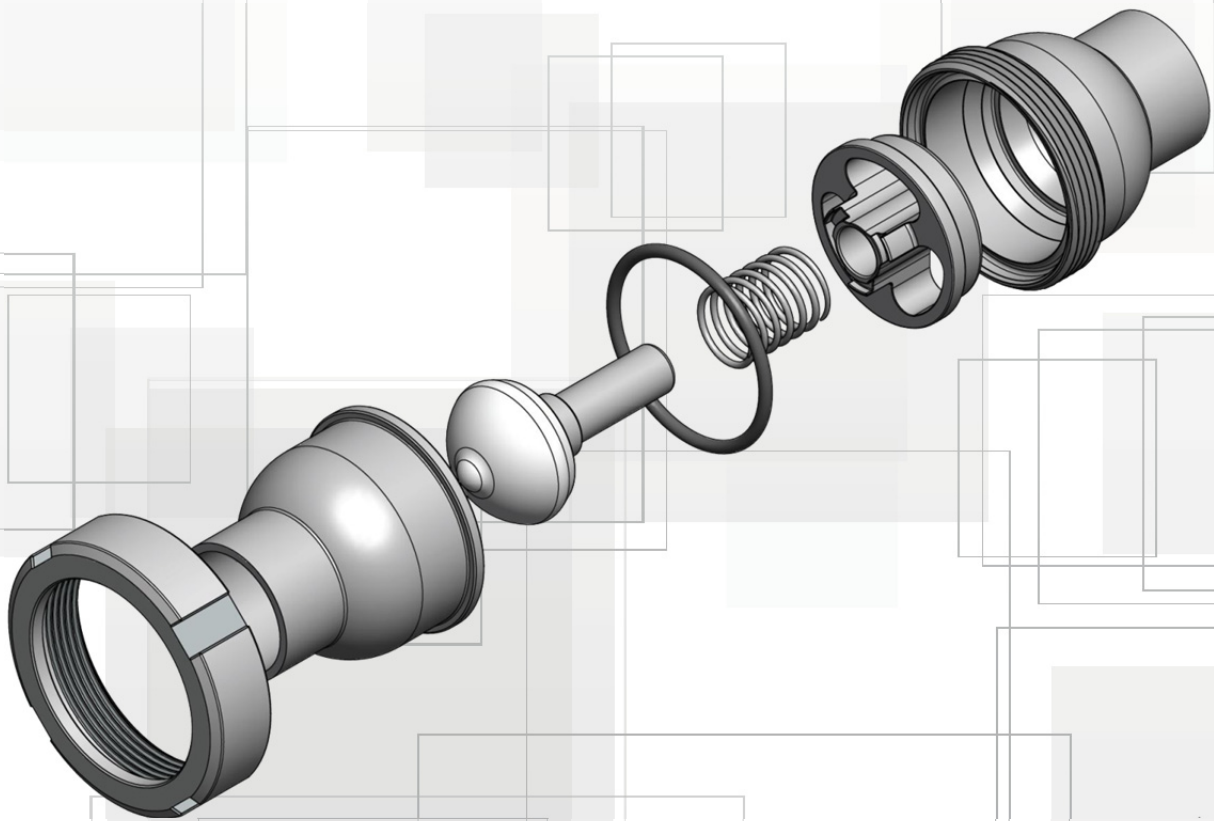


bio-plus® Kugelrückschlagventil

bio-plus® Ball non-return Valve



liquitec AG
Industrie Neuhof 54
CH-3422 Kirchberg

T +41 55 450 83 00
F +41 55 450 83 01

info@liquitec.ch
www.liquitec.ch

Inhaltsverzeichnis

Index of Contents

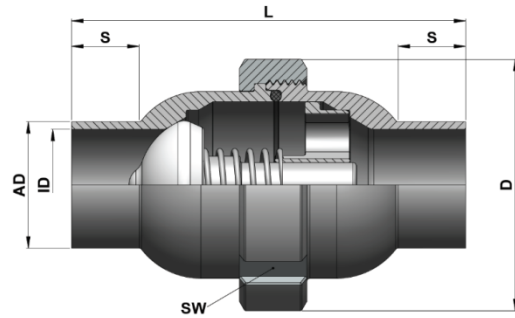
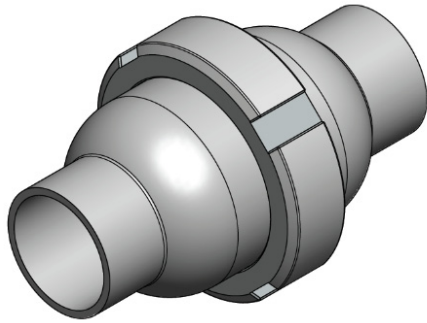
| | | |
|---|--|----|
| 1 | Technische Daten / Technical Data..... | 3 |
| 2 | bio-plus® Kugelrückschlagventil geschraubt mit Schweissende nach DIN11866 / bio-plus® Ball non-return Valve screwed with weld-end acc. DIN11866..... | 5 |
| 3 | bio-plus® Kugelrückschlagventil geschraubt mit Clamp Anschluss nach DIN32676 / bio-plus® Ball non-return Valve screwed with Clamp acc. DIN32676..... | 6 |
| 4 | bio-plus® Kugelrückschlagventil geflanscht mit Schweissende nach DIN11866 / bio-plus® Ball non-return Valve flanged with weld-end acc. DIN11866..... | 7 |
| 5 | bio-plus® Kugelrückschlagventil geflanscht mit Clamp Anschluss nach DIN32676 / bio-plus® Ball non-return Valve flanged with clamp acc. DIN32676..... | 8 |
| 6 | bio-plus® Ersatzteilset zu Kugelrückschlagventil* bio-plus® Spare Part Set to Ball non-return Valve*..... | 9 |
| 7 | Bestellschlüssel / Ordering Key..... | 10 |
| 8 | Rohranschluss-Tabelle 009 / Table of Pipe Connections 009..... | 12 |

1 Technische Daten Technical Data

| | |
|---|--|
| Standard-Baugrößen | <ul style="list-style-type: none"> • DIN04 – DIN150 • ISO06 – ISO150 • OD$\frac{1}{4}$" – OD6" |
| Werkstoffe | Produktberührt: <ul style="list-style-type: none"> • Gehäuse: 1.4435 BN2 (316L) • Verschlusskugel: PTFE • Feder: 1.4401 • Sonderwerkstoffe wie z.B. 2.4602, Titan, 1.4539 etc. gem. Bestellschlüssel |
| Dichtungswerkstoffe | Standarddichtungen: <ul style="list-style-type: none"> • EPDM • FEP / Silikon • FKM • Sonderdichtwerkstoffe gem. Bestellschlüssel |
| Oberflächen | Produktberührte Oberflächen: <ul style="list-style-type: none"> • elektropoliert Ra < 0,6µm • andere Oberflächen gem. Bestellschlüssel Nicht Produktberührte Oberflächen: <ul style="list-style-type: none"> • elektropoliert Ra > 1,6µm |
| Rückverfolgbarkeit | Alle produktberührenden Teile markiert mit Artikelnummer, Werkstoff und Chargennummer |
| Medien | Gase und Flüssigkeiten |
| Betriebsdruck | <ul style="list-style-type: none"> • DIN04 – DIN40 = 25 bar • DIN50 – DIN100 = 16 bar • DIN125 – DIN150 = 8 bar • ISO06 – DIN25 = 25 bar • ISO32 – ISO80 = 16 bar • ISO100 = 10 bar • ISO125 – ISO150 = 8 bar • OD$\frac{1}{4}$" – OD1$\frac{1}{2}$" = 25 bar • OD2" – OD4" = 16 bar • OD5" – OD6" = 8 bar • Sonderbetriebsdrücke auf Anfrage |
| Betriebstemperatur Dichtungswerkstoffe | <ul style="list-style-type: none"> • EPDM: -40°C bis +150°C, kurzzeitig bis +160°C • FEP (Silikonkern): -60°C bis +200°C, kurzzeitig bis +230°C |
| Öffnungsdruck | <ul style="list-style-type: none"> • Standard Öffnungsdruck: 0.2bar • Sonderöffnungsdrücke auf Anfrage: (0.036 bis 3.0 bar) |
| Normen | Rohranschlussmaße (Schweissende): <ul style="list-style-type: none"> • DIN (DIN11866-A) • ISO (DIN11866-B) • OD (DIN11866-C) Rohranschlussmaße (Clamp Anschluss): <ul style="list-style-type: none"> • DIN (DIN32676-A) • ISO (DIN32676-B) • OD (DIN32676-C) |
| Zertifikate | Produktberührende Teile: <ul style="list-style-type: none"> • EN 10204 / 3.1 Produktberührende Dichtungen: <ul style="list-style-type: none"> • FDA-Konformität, USP-Class VI, TSE-frei |

| | |
|--------------------------------------|--|
| Standard sizes | <ul style="list-style-type: none"> • DIN04 - DIN150 • ISO06 - ISO150 • OD$\frac{1}{4}$" – OD6" |
| Material | Product contact: <ul style="list-style-type: none"> • Housing: 1.4435 BN2 (316L) • Closing cone: PTFE • Spring: 1.4401 • Special material for ex. 2.4602, Titan, 1.4539 etc. acc. ordering key |
| Gasket | <ul style="list-style-type: none"> • EPDM • FEP (Silicone core) • FKM • Special materials acc. ordering key |
| Surface quality | Medium contacted: <ul style="list-style-type: none"> • electro polished Ra < 0,6μm • other qualities acc. ordering key Non medium contacted: <ul style="list-style-type: none"> • electro polished Ra > 1,6μm |
| Tracability | Product contacted material marked with article no., material and heat no. |
| Media | Gases and liquids |
| Operating pressure | <ul style="list-style-type: none"> • DIN04 - DIN40 = 25 bar • DIN50 – DIN100 = 16 bar • DIN125 – DIN150 = 8 bar • ISO06 – DIN25 = 25 bar • ISO32 – ISO80 = 16 bar • ISO100 = 10 bar • ISO125 – ISO150 = 8 bar • OD$\frac{1}{4}$" - OD1$\frac{1}{2}$" = 25 bar • OD2" – OD4" = 16 bar • OD5" – OD6" = 8 bar • Special operating pressures on demand. |
| Operating temperature gaskets | <ul style="list-style-type: none"> • EPDM: -40°C to +150°C, short time up +160°C • FEP/ Sil: -60°C to +200°C, short time up +230°C |
| Opening pressure | <ul style="list-style-type: none"> • Standard opening pressure: 0.2bar • Special opening pressure on demand (0.036 to 3.0 bar) |
| Standards | Tube dimension (weld-end): <ul style="list-style-type: none"> • DIN (DIN11866-A) • ISO (DIN11866-B) • OD (DIN11866-C) TC dimension (Clamp Connection): <ul style="list-style-type: none"> • DIN (DIN32676-A) • ISO (DIN32676-B) • OD (DIN32676-C) |
| Certification | Medium contacted: <ul style="list-style-type: none"> • EN 10204 / 3.1 Medium contacted Gaskets: <ul style="list-style-type: none"> • FDA-conform, USP-Class VI, TSE-free |

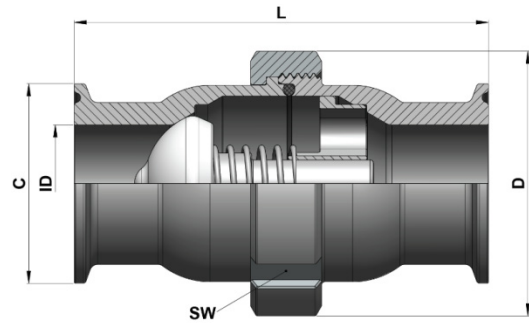
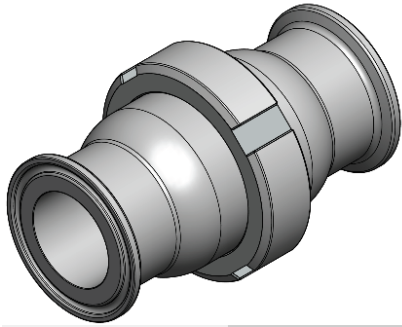
2 bio-plus® Kugelrückschlagventil geschraubt mit Schweissende nach DIN11866
bio-plus® Ball non-return Valve screwed with weld-end acc. DIN11866



| | Größe Size | Artikel-Nr. Article-No. | AD [mm] | ID [mm] | L [mm] | S [mm] | D [mm] | SW [mm] | Gewicht Weight [kg] |
|--------------------------------|--------------------|----------------------------|------------|------------|-----------|-----------|-----------|------------|---------------------------|
| DIN Abmessung DIN Dimension | DIN04 | RU.V04.35.6.0.C | 6.00 | 4.00 | 92.00 | 18.00 | 52.00 | *46.00 | |
| | DIN06 | RU.V06.35.6.0.C | 8.00 | 6.00 | 92.00 | 18.00 | 52.00 | *46.00 | |
| | DIN08 | RU.V08.35.6.0.C | 10.00 | 8.00 | 92.00 | 18.00 | 52.00 | *46.00 | |
| | DIN10 | RU.V10.35.6.0.C | 13.00 | 10.00 | 92.00 | 18.00 | 52.00 | *46.00 | |
| | DIN15 | RU.V15.35.6.0.C | 19.00 | 16.00 | 92.00 | 18.00 | 52.00 | *46.00 | |
| | DIN20 | RU.V20.35.6.0.C | 23.00 | 20.00 | 105.00 | 18.00 | 67.00 | *61.00 | |
| | DIN25 | RU.V25.35.6.0.C | 29.00 | 26.00 | 105.00 | 18.00 | 67.00 | *61.00 | |
| ISO Abmessung ISO Dimension | ISO06 | RU.W06.35.6.0.C | 10.20 | 7.00 | 94.00 | 18.00 | 52.00 | *46.00 | |
| | ISO08 | RU.W08.35.6.0.C | 13.50 | 10.30 | 92.00 | 18.00 | 52.00 | *46.00 | |
| | ISO10 | RU.W10.35.6.0.C | 17.20 | 14.00 | 92.00 | 18.00 | 52.00 | *46.00 | |
| | ISO15 | RU.W15.35.6.0.C | 21.30 | 18.10 | 92.00 | 20.00 | 52.00 | *46.00 | |
| | ISO20 | RU.W20.35.6.0.C | 26.90 | 23.70 | 107.00 | 20.00 | 67.00 | *61.00 | |
| | ISO25 | RU.W25.35.6.0.C | 33.70 | 29.70 | 105.00 | 20.00 | 67.00 | *61.00 | |
| OD Abmessung OD Dimension | OD $\frac{1}{4}$ " | RU.Y02.35.6.0.C | 6.35 | 4.57 | 92.00 | 18.00 | 52.00 | *46.00 | |
| | OD $\frac{3}{8}$ " | RU.Y03.35.6.0.C | 9.53 | 7.75 | 92.00 | 18.00 | 52.00 | *46.00 | |
| | OD $\frac{1}{2}$ " | RU.Y05.35.6.0.C | 12.70 | 9.40 | 92.00 | 18.00 | 52.00 | *46.00 | |
| | OD $\frac{3}{4}$ " | RU.Y07.35.6.0.C | 19.05 | 15.75 | 92.00 | 18.00 | 52.00 | *46.00 | |
| | OD1" | RU.Y10.35.6.0.C | 25.40 | 22.10 | 105.00 | 18.00 | 67.00 | *61.00 | |

*für Hakenschlüssel

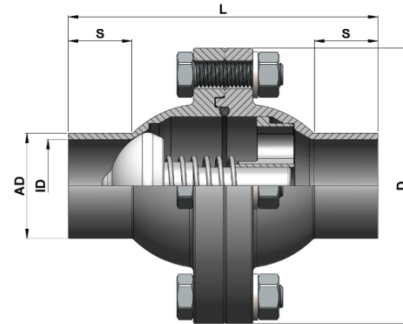
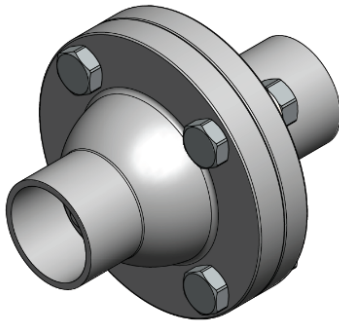
3 bio-plus® Kugelrückschlagventil geschraubt mit Clamp Anschluss nach DIN32676
bio-plus® Ball non-return Valve screwed with Clamp acc. DIN32676



| | Größe Size | Artikel-Nr. Article-No. | C [mm] | ID [mm] | L [mm] | | D [mm] | SW [mm] | Gewicht Weight [kg] |
|--------------------------------|--------------------|----------------------------|-----------|------------|-----------|--|-----------|------------|---------------------------|
| DIN Abmessung DIN Dimension | DIN04 | RH.V04.35.6.0.C | 25.00 | 4.00 | 92.00 | | 52.00 | *46.00 | |
| | DIN06 | RH.V06.35.6.0.C | 25.00 | 6.00 | 92.00 | | 52.00 | *46.00 | |
| | DIN08 | RH.V08.35.6.0.C | 25.00 | 8.00 | 92.00 | | 52.00 | *46.00 | |
| | DIN10 | RH.V10.35.6.0.C | 25.00 | 10.00 | 92.00 | | 52.00 | *46.00 | |
| | DIN15 | RH.V15.35.6.0.C | 34.00 | 16.00 | 92.00 | | 52.00 | *46.00 | |
| | DIN20 | RH.V20.35.6.0.C | 34.00 | 20.00 | 105.00 | | 67.00 | *61.00 | |
| ISO Abmessung ISO Dimension | DIN25 | RH.V25.35.6.0.C | 50.50 | 26.00 | 105.00 | | 67.00 | *61.00 | |
| | ISO06 | RH.W06.35.6.0.C | 25.00 | 7.00 | 92.00 | | 52.00 | *46.00 | |
| | ISO08 | RH.W08.35.6.0.C | 25.00 | 10.30 | 92.00 | | 52.00 | *46.00 | |
| | ISO10 | RH.W10.35.6.0.C | 25.00 | 14.00 | 92.00 | | 52.00 | *46.00 | |
| | ISO15 | RH.W15.35.6.0.C | 50.50 | 18.10 | 92.00 | | 52.00 | *46.00 | |
| | ISO20 | RH.W20.35.6.0.C | 50.50 | 23.70 | 105.00 | | 67.00 | *61.00 | |
| OD Abmessung OD Dimension | ISO25 | RH.W25.35.6.0.C | 50.50 | 29.70 | 105.00 | | 67.00 | *61.00 | |
| | OD $\frac{1}{4}$ " | RH.Y02.35.6.0.C | 25.00 | 4.57 | 92.00 | | 52.00 | *46.00 | |
| | OD $\frac{3}{8}$ " | RH.Y03.35.6.0.C | 25.00 | 7.75 | 92.00 | | 52.00 | *46.00 | |
| | OD $\frac{1}{2}$ " | RH.Y05.35.6.0.C | 25.00 | 9.40 | 92.00 | | 52.00 | *46.00 | |
| | OD $\frac{3}{4}$ " | RH.Y07.35.6.0.C | 25.00 | 15.75 | 92.00 | | 52.00 | *46.00 | |
| | OD1" | RH.Y10.35.6.0.C | 50.50 | 22.10 | 105.00 | | 67.00 | *61.00 | |

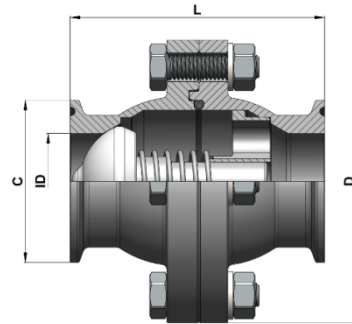
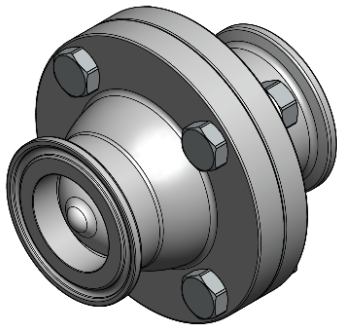
*für Hakenschlüssel

4 bio-plus® Kugelrückschlagventil geflanscht mit Schweissende nach DIN11866
bio-plus® Ball non-return Valve flanged with weld-end acc. DIN11866



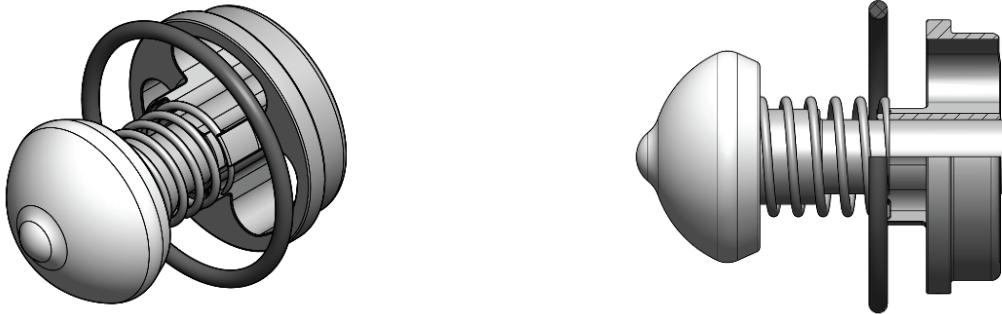
| | Größe Size | Artikel-Nr. Article-No. | AD [mm] | ID [mm] | L [mm] | S [mm] | D [mm] | | Gewicht Weight [kg] |
|--------------------------------|----------------------|----------------------------|------------|------------|-----------|-----------|-----------|--|---------------------------|
| DIN Abmessung DIN Dimension | DIN10 | RU.V10.FLK.35.6.0.C | 13.00 | 10.00 | 92.00 | 20.00 | 74.00 | | |
| | DIN15 | RU.V15.FLK.35.6.0.C | 29.00 | 16.00 | 92.00 | 20.00 | 74.00 | | |
| | DIN20 | RU.V20.FLK.35.6.0.C | 23.00 | 20.00 | 109.00 | 20.00 | 88.00 | | |
| | DIN25 | RU.V25.FLK.35.6.0.C | 29.00 | 26.00 | 105.00 | 20.00 | 88.00 | | |
| | DIN32 | RU.V32.FLK.35.6.0.C | 35.00 | 32.00 | 105.00 | 20.00 | 88.00 | | |
| | DIN40 | RU.V40.FLK.35.6.0.C | 41.00 | 38.00 | 119.00 | 20.00 | 125.00 | | |
| | DIN50 | RU.V50.FLK.35.6.0.C | 53.00 | 50.00 | 146.00 | 25.00 | 137.00 | | |
| | DIN65 | RU.V65.FLK.35.6.0.C | 70.00 | 66.00 | 141.00 | 25.00 | 168.00 | | |
| | DIN80 | RU.V80.FLK.35.6.0.C | 85.00 | 81.00 | 177.00 | 30.00 | 194.00 | | |
| | DIN100 | RU.V100.FLK.35.6.0.C | 104.00 | 100.00 | 179.00 | 30.00 | 240.00 | | |
| | DIN125 | RU.V125.FLK.35.6.0.C | 129.00 | 125.00 | 208.00 | 30.00 | 300.00 | | |
| DIN150 | RU.V150.FLK.35.6.0.C | 154.00 | 150.00 | 248.00 | 30.00 | 360.00 | | | |
| ISO Abmessung ISO Dimension | ISO10 | RU.W10.FLK.35.6.0.C | 17.20 | 14.00 | 89.30 | 20.00 | 74.00 | | |
| | ISO15 | RU.W15.FLK.35.6.0.C | 21.30 | 18.10 | 89.30 | 20.00 | 74.00 | | |
| | ISO20 | RU.W20.FLK.35.6.0.C | 26.90 | 23.70 | 109.00 | 20.00 | 88.00 | | |
| | ISO25 | RU.W25.FLK.35.6.0.C | 33.70 | 29.70 | 105.00 | 20.00 | 88.00 | | |
| | ISO32 | RU.W32.FLK.35.6.0.C | 42.40 | 38.40 | 119.00 | 20.00 | 125.00 | | |
| | ISO40 | RU.W40.FLK.35.6.0.C | 48.30 | 44.30 | 137.00 | 20.00 | 137.00 | | |
| | ISO50 | RU.W50.FLK.35.6.0.C | 60.30 | 56.30 | 137.00 | 20.00 | 137.00 | | |
| | ISO65 | RU.W65.FLK.35.6.0.C | 76.10 | 72.10 | 152.00 | 25.00 | 168.00 | | |
| | ISO80 | RU.W80.FLK.35.6.0.C | 88.90 | 84.30 | 180.00 | 25.00 | 190.00 | | |
| | ISO100 | RU.W100.FLK.35.6.0.C | 114.30 | 109.70 | 176.00 | 30.00 | 240.00 | | |
| | ISO125 | RU.W125.FLK.35.6.0.C | 139.70 | 134.50 | 198.00 | 30.00 | 300.00 | | |
| ISO150 | RU.W150.FLK.35.6.0.C | 168.30 | 163.10 | 248.00 | 30.00 | 360.00 | | | |
| OD Abmessung OD Dimension | OD1/2" | RU.Y05.FLK.35.6.0.C | 12.70 | 9.40 | 103.00 | 25.40 | 88.00 | | |
| | OD3/4" | RU.Y07.FLK.35.6.0.C | 19.05 | 15.75 | 103.00 | 25.40 | 88.00 | | |
| | OD1" | RU.Y10.FLK.35.6.0.C | 25.40 | 22.10 | 122.00 | 25.40 | 88.00 | | |
| | OD1 1/2" | RU.Y15.FLK.35.6.0.C | 38.10 | 34.80 | 163.00 | 38.10 | 137.00 | | |
| | OD2" | RU.Y20.FLK.35.6.0.C | 50.80 | 47.50 | 161.00 | 38.10 | 137.00 | | |
| | OD2 1/2" | RU.Y25.FLK.35.6.0.C | 63.50 | 60.20 | 163.00 | 38.10 | 168.00 | | |
| | OD3" | RU.Y30.FLK.35.6.0.C | 76.20 | 72.90 | 151.00 | 38.10 | 168.00 | | |
| | OD4" | RU.Y40.FLK.35.6.0.C | 101.60 | 97.38 | 200.00 | 38.10 | 240.00 | | |
| | OD6" | RU.Y60.FLK.35.6.0.C | 152.40 | 146.86 | 248.00 | 38.10 | 360.00 | | |

5 bio-plus® Kugelrückschlagventil geflanscht mit Clamp Anschluss nach DIN32676
bio-plus® Ball non-return Valve flanged with clamp acc. DIN32676



| | Größe Size | Artikel-Nr. Article-No. | C [mm] | ID [mm] | L [mm] | | D [mm] | | Gewicht Weight [kg] |
|--------------------------------|----------------------|----------------------------|-----------|------------|-----------|--------|-----------|--|---------------------------|
| DIN Abmessung DIN Dimension | DIN10 | RH.V10.FLK.35.6.0.C | 25.00 | 10.00 | 75.00 | | 88.00 | | |
| | DIN15 | RH.V15.FLK.35.6.0.C | 50.50 | 16.00 | 75.00 | | 88.00 | | |
| | DIN20 | RH.V20.FLK.35.6.0.C | 50.50 | 20.00 | 87.00 | | 88.00 | | |
| | DIN25 | RH.V25.FLK.35.6.0.C | 50.50 | 26.00 | 87.00 | | 88.00 | | |
| | DIN32 | RH.V32.FLK.35.6.0.C | 50.50 | 32.00 | 87.00 | | 125.00 | | |
| | DIN40 | RH.V40.FLK.35.6.0.C | 50.50 | 38.00 | 107.00 | | 125.00 | | |
| | DIN50 | RH.V50.FLK.35.6.0.C | 64.00 | 50.00 | 114.00 | | 137.00 | | |
| | DIN65 | RH.V65.FLK.35.6.0.C | 91.00 | 66.00 | 111.00 | | 168.00 | | |
| | DIN80 | RH.V80.FLK.35.6.0.C | 106.00 | 81.00 | 149.00 | | 194.00 | | |
| | DIN100 | RH.V100.FLK.35.6.0.C | 119.00 | 100.00 | 153.00 | | 240.00 | | |
| | DIN125 | RH.V125.FLK.35.6.0.C | 125.00 | 125.00 | 188.00 | | 300.00 | | |
| DIN150 | RH.V150.FLK.35.6.0.C | 183.00 | 150.00 | | | 360.00 | | | |
| ISO Abmessung ISO Dimension | ISO10 | RH.W10.FLK.35.6.0.C | 50.50 | 14.00 | 75.00 | | 88.00 | | |
| | ISO15 | RH.W15.FLK.35.6.0.C | 50.50 | 18.10 | 75.00 | | 88.00 | | |
| | ISO20 | RH.W20.FLK.35.6.0.C | 50.50 | 23.70 | 87.00 | | 88.00 | | |
| | ISO25 | RH.W25.FLK.35.6.0.C | 50.50 | 29.70 | 87.00 | | 88.00 | | |
| | ISO32 | RH.W32.FLK.35.6.0.C | 64.00 | 38.40 | 99.00 | | 125.00 | | |
| | ISO40 | RH.W40.FLK.35.6.0.C | 64.00 | 44.30 | 114.00 | | 137.00 | | |
| | ISO50 | RH.W50.FLK.35.6.0.C | 77.50 | 56.30 | 104.00 | | 137.00 | | |
| | ISO65 | RH.W65.FLK.35.6.0.C | 91.00 | 72.10 | 113.00 | | 168.00 | | |
| | ISO80 | RH.W80.FLK.35.6.0.C | 106.00 | 84.30 | 149.00 | | 190.00 | | |
| | ISO100 | RH.W100.FLK.35.6.0.C | 130.00 | 109.70 | 155.00 | | 240.00 | | |
| | ISO125 | RH.W125.FLK.35.6.0.C | 155.00 | 134.50 | 188.00 | | 300.00 | | |
| ISO150 | RH.W150.FLK.35.6.0.C | 183.00 | 163.10 | | | 360.00 | | | |
| OD Abmessung OD Dimension | OD1/2" | RH.Y05.FLK.35.6.0.C | 25.00 | 9.40 | 75.00 | | 74.00 | | |
| | OD3/4" | RH.Y07.FLK.35.6.0.C | 50.50 | 15.75 | 75.00 | | 74.00 | | |
| | OD1" | RH.Y10.FLK.35.6.0.C | 50.50 | 22.10 | 87.00 | | 88.00 | | |
| | OD1 1/2" | RH.Y15.FLK.35.6.0.C | 50.50 | 34.80 | 107.00 | | 137.00 | | |
| | OD2" | RH.Y20.FLK.35.6.0.C | 64.00 | 47.50 | 114.00 | | 137.00 | | |
| | OD2 1/2" | RH.Y25.FLK.35.6.0.C | 77.50 | 60.20 | 119.00 | | 168.00 | | |
| | OD3" | RH.Y30.FLK.35.6.0.C | 91.00 | 72.90 | 111.00 | | 168.00 | | |
| | OD4" | RH.Y40.FLK.35.6.0.C | 119.00 | 97.38 | 155.00 | | 240.00 | | |
| | OD6" | RH.Y60.FLK.35.6.0.C | 167.00 | 146.86 | | | 360.00 | | |

6 bio-plus® Ersatzteilset zu Kugelrückschlagventil* bio-plus® Spare Part Set to Ball non-return Valve*



| Bezeichnung Description | DIN11866A DIN | DIN11866B ISO | DIN11866C OD | Art.-Nr. EPDM Art.-No. EPDM | Art.-Nr. FEP / Silikonkern Art.-No. FEP / Silicone core | Art.-Nr. FKM Art.-No. FKM |
|----------------------------|---|----------------------------------|--|--------------------------------|--|------------------------------|
| Grösse 1 | DIN04 DIN06 DIN08 DIN10 DIN15 | ISO06 ISO08 ISO10 ISO15 | OD $\frac{1}{4}$ " OD $\frac{3}{8}$ " OD $\frac{1}{2}$ " OD $\frac{3}{4}$ " | RE.W15.35.6.0.C | RE.W15.35.6.3.C | RE.W15.35.6.2.C |
| Grösse 2 | DIN20 DIN25 DIN32 | ISO20 ISO25 | OD1" | RE.W20.35.6.0.C | RE.W20.35.6.3.C | RE.W20.35.6.2.C |
| Grösse 3 | DIN40 | ISO32 | OD1 $\frac{1}{2}$ " | RE.W32.35.6.0.C | RE.W32.35.6.3.C | RE.W32.35.6.2.C |
| Grösse 4 | DIN50 | ISO40 ISO50 | OD2" OD2 $\frac{1}{2}$ " | RE.W50.35.6.0.C | RE.W50.35.6.3.C | RE.W50.35.6.2.C |
| Grösse 5 | DIN65 | ISO65 | OD3" | RE.W65.35.6.0.C | RE.W65.35.6.3.C | RE.W65.35.6.2.C |
| Grösse 6 | DIN80 | ISO80 | | RE.W80.35.6.0.C | RE.W80.35.6.3.C | RE.W80.35.6.2.C |
| Grösse 7 | DIN100 | ISO100 | OD4" | RE.W100.35.6.0.C | RE.W100.35.6.3.C | RE.W100.35.6.2.C |
| Grösse 8 | DIN125 | ISO125 | | RE.W125.35.6.0.C | RE.W125.35.6.3.C | RE.W125.35.6.2.C |
| Grösse 9 | DIN150 | ISO150 | OD6" | RE.W150.35.6.0.C | RE.W150.35.6.3.C | RE.W150.35.6.2.C |

*bestehend aus Verschlusskugel, Feder, Stützflansch und O-Ring

7 Bestellschlüssel Ordering Key

1. Artikel / Article

| | |
|-----------|--|
| RU | Kugelrückschlagventil kompl. mit Schweissende nach DIN 11866 / Ball non-return Valve compl. with weld-end acc. DIN 11866 |
| RH | Kugelrückschlagventil kompl. mit Clamp Anschluss nach DIN 32676 / Ball non-return Valve compl. with clamp acc. DIN 32676 |
| RE | Ersatzteilset zu Kugelrückschlagventil PTFE Schliesskegel / Spare part set to Ball non-return Valve PTFE Closing cone |

2. Norm / Standard

| | |
|----------|-------------------------------|
| V | DIN Abmessung / DIN Dimension |
| W | ISO Abmessung / ISO Dimension |
| Y | OD Abmessung / OD Dimension |

2.1

Nennweite / Nominal Size

(siehe Rohranschluss-Tabelle 009 /
see table of pipe connections 009)

| | |
|------------|--------------------------------------|
| 02 | Nennweite DN02 / Nominal Size DN02 |
| 03 | Nennweite DN03 / Nominal Size DN03 |
| 04 | Nennweite DN04 / Nominal Size DN04 |
| 05 | Nennweite DN05 / Nominal Size DN05 |
| 06 | Nennweite DN06 / Nominal Size DN06 |
| 08 | Nennweite DN08 / Nominal Size DN08 |
| 10 | Nennweite DN10 / Nominal Size DN10 |
| 15 | Nennweite DN15 / Nominal Size DN15 |
| 20 | Nennweite DN20 / Nominal Size DN20 |
| 25 | Nennweite DN25 / Nominal Size DN25 |
| 30 | Nennweite DN30 / Nominal Size DN30 |
| 32 | Nennweite DN32 / Nominal Size DN32 |
| 40 | Nennweite DN40 / Nominal Size DN40 |
| 50 | Nennweite DN50 / Nominal Size DN50 |
| 60 | Nennweite DN60 / Nominal Size DN60 |
| 65 | Nennweite DN65 / Nominal Size DN65 |
| 80 | Nennweite DN80 / Nominal Size DN80 |
| 100 | Nennweite DN100 / Nominal Size DN100 |
| 125 | Nennweite DN125 / Nominal Size DN125 |
| 150 | Nennweite DN150 / Nominal Size DN150 |

3. Verbindung / Connection

| | |
|------------|---|
| - | bio-plus® Verschraubung / bio-plus® Screw (Standard) |
| FLK | bio-plus® Flanschverbindung / bio-plus® Flange Connection |

4. Material / Material

| | |
|-----------|---|
| 04 | 1.4404 (316L) |
| 35 | 1.4435 BN2 |
| 39 | 1.4539 |
| 22 | 2.4602 (Hastelloy C22) |
| A2 | A2 – Befestigungs- & Sicherungselemente / A2 – Mounting & Retaining Parts |

5. Dichtungsmaterial Schliesskegel / Seal Material Closing Cone

| | |
|---|---|
| 6 | PTFE rein / PTFE pure (Standardausrüstung für Baugruppen / Standard for Assemblies) |
|---|---|

6. Dichtungsmaterial Gehäusedichtung / Seal Material Housing Seal

| | |
|---|--|
| 0 | EPDM (Standardausrüstung für Baugruppen / Standard for Assemblies) |
| 1 | Silikon / Silicone |
| 2 | FKM (Viton) |
| 3 | FEP / Sil (Silikonkern / Silicone core) |
| 4 | PEEK |
| 5 | FFKM (Kalrez) |
| 6 | PTFE rein / PTFE pure |
| 7 | FEP / EPDM (EPDM-Kern / EPDM core) |
| 8 | FEP / FKM (FKM-Kern / FKM core) |

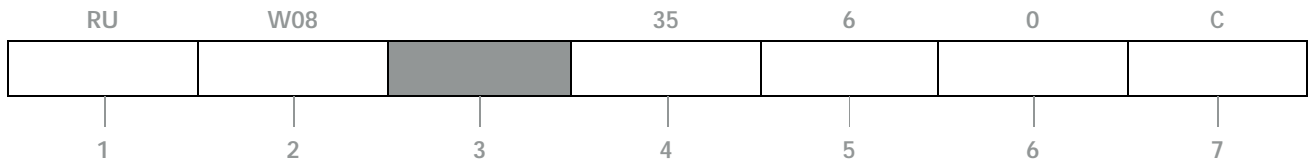
7. Oberfläche / Surface

| | |
|---|---|
| C | Innenoberfläche Ra 0.6; elektropoliert / Internal Surface Ra 0.6; electropolished |
| E | Innenoberfläche Ra 0.4; elektropoliert / Internal Surface Ra 0.6; electropolished |

weitere Oberflächen auf Anfrage / other surfaces on request

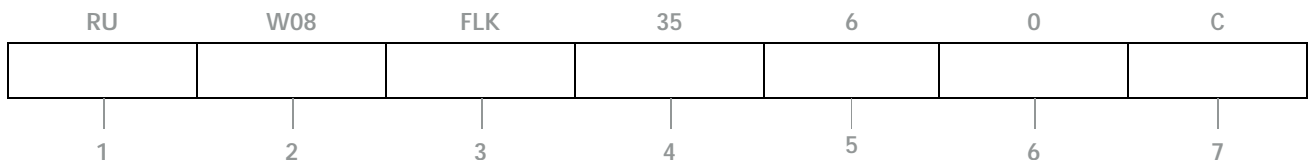
bio-plus® Kugelrückschlagventil (Ausführung mit Verschraubung) bio-plus® Ball non-return Valve screwed (Execution with Screw Union)

Bestellbeispiel / Ordering example: RU.W08.35.6.0.C



bio-plus® Kugelrückschlagventil (Ausführung mit Flanschverbindung) bio-plus® Ball non-return Valve flanged (Execution with Flange Union)

Bestellbeispiel / Ordering example: RU.W08.FLK.35.6.0.C



bio-plus® Ersatzteilset zu Kugelrückschlagventil bio-plus® Spare part set Ball non-return Valve

Bestellbeispiel / Ordering example: RU.W08.35.6.0.C



8 Rohranschluss-Tabelle 009

Table of Pipe Connections 009

| Nennweite Nominal Size | DIN 11866 | | |
|---------------------------|---------------------------------|---------------------------------|-------------------------------|
| | Reihe A (DIN) Series A (DIN) | Reihe B (ISO) Series B (ISO) | Reihe C (OD) Series C (OD) |
| 02 | | | ø6.35x0.89 |
| 03 | | | ø9.53x0.89 |
| 04 | ø6.00x1.00 | | |
| 05 | | | ø12.70x1.65 |
| 06 | ø8.00x1.00 | ø10.20x1.60 | |
| 07 | | | ø19.05x1.65 |
| 08 | ø10.00x1.00 | ø13.50x1.60 | |
| 10 | ø13.00x1.50 | ø17.20x1.60 | ø25.40x1.65 |
| 15 | ø19.00x1.50 | ø21.30x1.60 | ø38.10x1.65 |
| 20 | ø23.00x1.50 | ø26.90x1.60 | ø50.80x1.65 |
| 25 | ø29.00x1.50 | ø33.70x2.00 | ø63.50x1.65 |
| 30 | | | ø76.20x1.65 |
| 32 | ø35.00x1.50 | ø42.40x2.00 | |
| 40 | ø41.00x1.50 | ø48.30x2.00 | ø101.60x2.11 |
| 50 | ø53.00x1.50 | ø60.30x2.00 | |
| 60 | | | ø152.40x2.77 |
| 65 | ø70.00x2.00 | ø76.10x2.00 | |
| 80 | ø85.00x2.00 | ø88.90x2.30 | |
| 100 | ø104.00x2.00 | ø114.30x2.30 | |
| 125 | ø129.00x2.00 | ø139.70x2.60 | |
| 150 | ø154.00x2.00 | ø168.30x2.60 | |

Maß- und Konstruktionsänderungen vorbehalten. Revisionsdatum: 11/17
 Specifications and design are subject to change without notice. Date of revision: 11/17