

Flameless explosion venting Type FlamQuench II™

Description

The most common basis of safety for protecting industrial processes against the effects of dust explosions is explosion relief venting.

Fike's FlamQuench II™ consist of various layers of stainless steel mesh, which absorb heat during combustion, allowing conventional venting to be done indoors and outdoors with no release of flame and retaining the dust.



Features and Benefits

- Flame arrester technology combined with circular explosion vent panels ⁽¹⁾
- Conventional venting indoors and outdoors without flame and retaining the dust
- Precludes the need for venting ducts
- Virtually maintenance free
- Easy installation
- Approvals: ATEX, CE and FM

(1) Limitations for compatible explosion vent models may exist, contact Fike or your local Fike representative for more information.

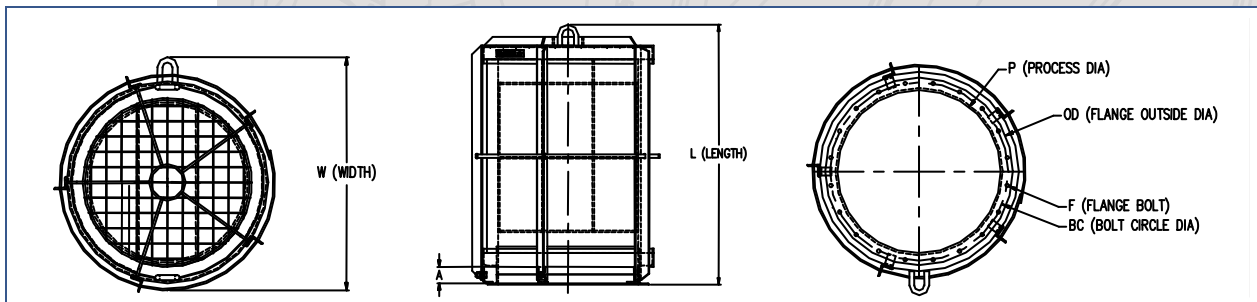
Specifications

Type	FlamQuench II™
Materials of construction	Stainless steel
Companion explosion vents	Circular vents
Operating conditions	Not exposed to process conditions
Application limits	Suitable for venting class St1 and St2 non-metallic explosions. Reduced explosion pressure ≤ 1bar
Safety distance	Equal to the equivalent diameter of the vent area of the device. Local regulations may prevail.
Approvals	ATEX, CE, FM (1)

(1) Contact Fike for corresponding P/N of FM approved devices.

Dimensions

FQII Size	Dimensions (mm)				Size bolt	Qty	Dimensions (mm)			Weight (kg)
	P	OD	BC	F			L	W	A	
DN200	208	268	242	10	M8	8	599	330	±44	±20
DN300	310	390	355	12	M10	12	666	485	±44	±36
DN350	342	422	387	12	M10	12	800	565	±63	±51
DN400	393	483	443	12	M10	16	900	636	±63	±76
DN500	494	584	544	12	M10	20	954	727	±63	±90
DN600	596	686	646	12	M10	20	1465	828	±63	±182
DN750	743	843	798	12	M10	28	2189	982	±63	±288
DN800	799	899	854	12	M10	28	2238	1173	±63	±365
DN900	900	1000	955	12	M10	32	2238	1173	±63	±365
DN1000	1002	1102	1057	12	M10	36	2242	1264	±63	±438



8.4100.00.5

All above data are subject to change without notice. They must not be used unless confirmed in writing.

Fike Europe B.v.b.a • Toekomstlaan 52 • B2200 Herentals • Belgium
Tel. +32 14 210031 • Fax +32 14 210743 • email fike-europe@fike.com • website: <http://www.fike.be>

Fike United Kingdom • Maidstone • England
Tel. +44 1 622 677081 • Fax +44 1 622 685737 • email sales@fike.co.uk • website: <http://www.fike.co.uk>