

Balancing valves, steel, reduced bore

140 series, welding / welding, EN (DIN), DN 15-150, reduced bore

| | |
|-----------------|---|
| Body | DN 15-150 Steel, P235GH (1.0345) |
| Ball | DN 15-150 Stainless steel, X5CrNi18-10 (1.4301) |
| Ball seal | DN 15-150 PTFE+GF |
| Stem | DN 15-150 Stainless steel, X8CrNiS18-9 (1.4305) |
| Stem seal | DN 15-150 FPM |
| Measuring block | DN 15-150 Type Oras, brass |
| Operation | DN 15-150 With zinc-plated steel handle |

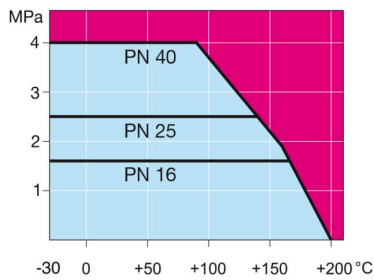


Operation conditions

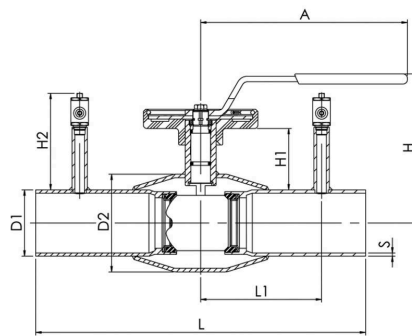
-30 °C – +200 °C

Below 0 °C contact manufacturer

Leakage rate A (EN 12266-1)



DN 15-150



Not for steam

| DN | PN | Product no. Vexve | A | D1 | D2 | H | H1 | H2 | L | L1 | S | kg |
|-----|----|-------------------|-----|-------|-------|-----|-----|-----|-----|-------|-----|------|
| 15 | 40 | 140015 | 145 | 21.3 | 42.4 | 134 | 50 | 93 | 230 | 65 | 2.3 | 1.3 |
| 20 | 40 | 140020 | 145 | 26.9 | 42.4 | 136 | 53 | 93 | 230 | 65 | 2.3 | 1.4 |
| 25 | 40 | 140025 | 145 | 33.7 | 48.3 | 142 | 55 | 93 | 230 | 65 | 2.6 | 1.7 |
| 32 | 40 | 140032 | 145 | 42.4 | 60.3 | 144 | 53 | 93 | 260 | 80 | 2.6 | 1.8 |
| 40 | 40 | 140040 | 188 | 48.3 | 70.0 | 143 | 60 | 93 | 260 | 80 | 2.6 | 2.6 |
| 50 | 40 | 140050 | 188 | 60.3 | 88.9 | 149 | 60 | 93 | 300 | 100 | 2.9 | 3.5 |
| 65 | 25 | 140065 | 280 | 76.1 | 101.6 | 160 | 58 | 108 | 300 | 110 | 2.9 | 4.8 |
| 80 | 25 | 140080 | 280 | 88.9 | 121.0 | 173 | 64 | 108 | 300 | 110 | 3.2 | 6.1 |
| 100 | 25 | 140100 | 280 | 114.3 | 146.0 | 219 | 98 | 130 | 325 | 122.5 | 3.6 | 9.4 |
| 125 | 25 | 140125 | 400 | 139.7 | 177.8 | 253 | 100 | 130 | 325 | 137,5 | 4 | 16.2 |
| 150 | 25 | 140150 | 600 | 168.3 | 219.1 | 276 | 110 | 130 | 350 | 150 | 4,5 | 21.3 |

Balancing valves, steel, reduced bore

140 series, welding / welding, EN (DIN), DN 200-300, reduced bore

| | |
|-----------------|--|
| Body | DN 200-300 Steel, P235GH (1.0345) |
| Ball | DN 200-300 Stainless steel, X5CrNi18-10 (1.4301) |
| Ball seal | DN 200-300 PTFE+GF |
| Stem | DN 200-300 Stainless steel, X8CrNiS18-9 (1.4305) |
| Stem seal | DN 200-300 FPM |
| Measuring block | DN 200-300 Type Oras, brass |
| Operation | DN 200-300 Valve is equipped with manual gear |

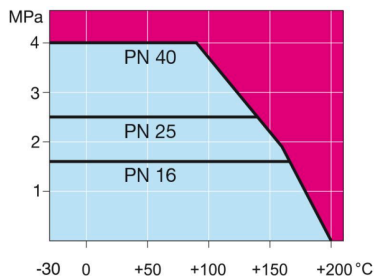


Operation conditions

-30 °C – +200 °C

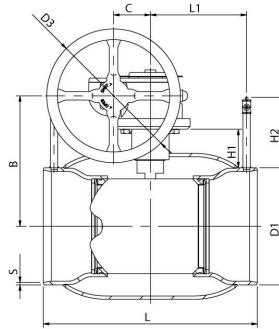
Below 0 °C contact manufacturer

Leakage rate A (EN 12266-1)

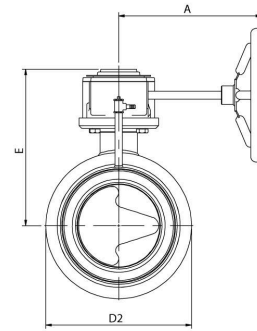


Not for steam

DN 200-300



DN 200-300



| DN | PN | Product no. Vexve | A | B | C | D1 | D2 | D3 | E | H | H1 | H2 | L | L1 | S | kg |
|-----|----|-------------------|-----|-----|-----|-------|-------|-------|-----|-----|-----|-----|-----|-----|-----|-------|
| 200 | 25 | 140200 | 268 | 244 | 69 | 219.1 | 273.0 | 250.0 | 293 | 72 | 72 | 132 | 400 | 180 | 4.5 | 45.0 |
| 250 | 25 | 140250 | 301 | 294 | 97 | 273.0 | 355.6 | 300.0 | 345 | 88 | 88 | 132 | 530 | 225 | 5 | 89.0 |
| 300 | 25 | 140300 | 424 | 349 | 138 | 323.9 | 457.0 | 600.0 | 422 | 112 | 112 | 132 | 550 | 245 | 5,6 | 140.0 |