

## KEOFITT® BOTTLE SAMPLING SYSTEMS

The KEOFITT Aseptic System enables the user to take a truly representative aseptic sample. It protects the sample against airborne contamination, while extracting the sample, during transportation and storage.

The standard operating procedure involves steaming the sampling valve with the KEOFITT Aseptic System connected, in order to sterilize the sampling valve and the connection between the sampling valve and the KEOFITT Aseptic System. This procedure ensures the sterilization of the whole flow path in a closed circuit.

The KEOFITT Aseptic System is based on KEOFITT's guaranteed high quality, microbiologically safe valve design. It shall be used with PP sampling bottles (# 260325 / 260525 / 260625 / 260725 / 260825), which are autoclavable, robust and translucent.

*SAMPLING*



*STERILIZATION*



# KEOFITT SAMPLING BOTTLE SYSTEMS

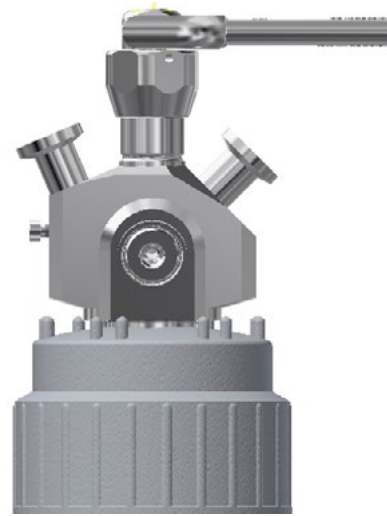
SAMPLING BOTTLE SYSTEMS

**ASEPTIC SAMPLING SYSTEM**  
for bottle sizes 250/1000/2000 ml



260001

**ASEPTIC SAMPLING SYSTEM**  
for bottle sizes 4000/5000 ml



260002

**SAMPLING BOTTLE HEAD W9**



260030

**SAMPLING BOTTLE HEAD W15**



860030

**SAMPLING BOTTLE HEAD W25**



870030

