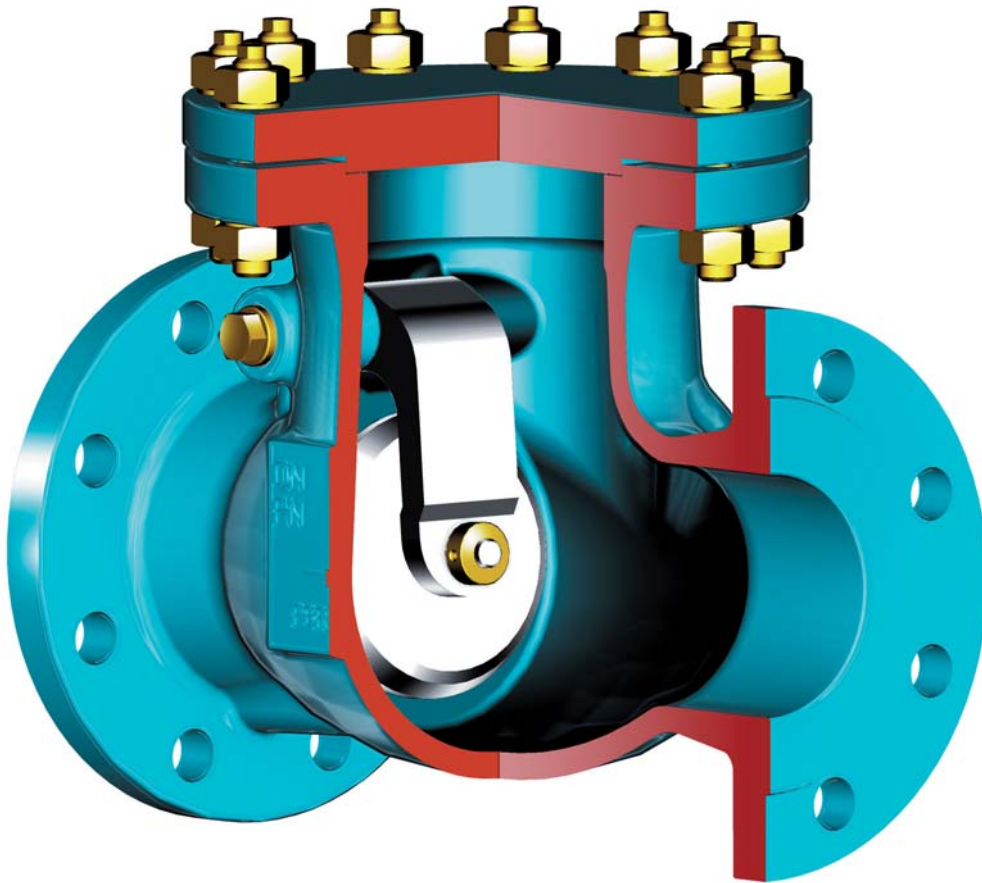


▪ **Swing check valves** ▪ 640 AA ▪ PN 10-40 ▪ DN 50-250



Range of application

Admissible operating pressure [bar] at design temperature [°C] ¹⁾

Material	PN	-10	20	100	150	200	250	300	350	400	450
1.0619	10-16	16	16	16	15	14	13	11	10	8	5
	25	25	25	25	23	22	20	17	16	13	8
	40	40	40	40	37	35	32	28	24	21	10

¹⁾ Operating temperature = design temperature minus temperature surcharge acc. to DIN regulations.

■ **Swing check valves** ■ 640 AA ■ PN 10-40 ■ DN 50-250

Standard features

- Body cast steel

Pressure and temperature ratings

- Pressure rating up to 40 bar
- Temperature rating up to +450° C

Materials

- 1.0619

Further materials on request

Fields of application

Chemical industries, power plants, ship building and other

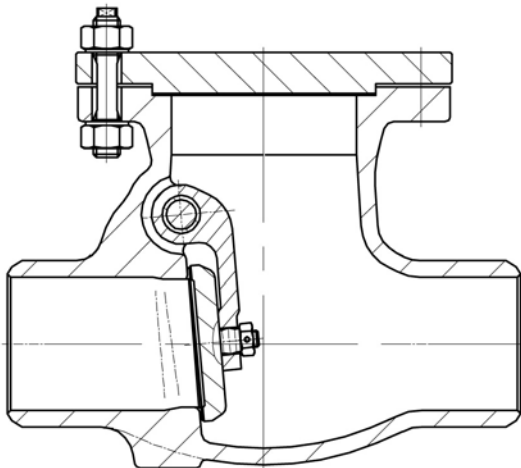
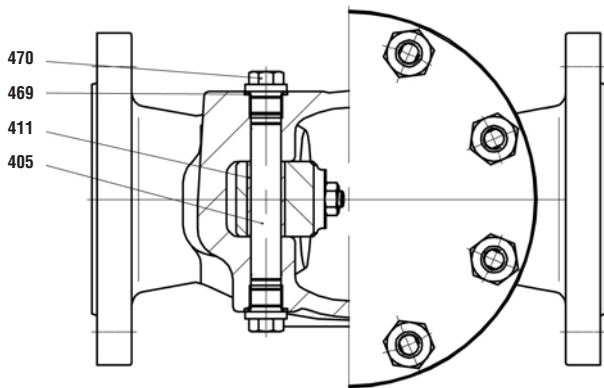
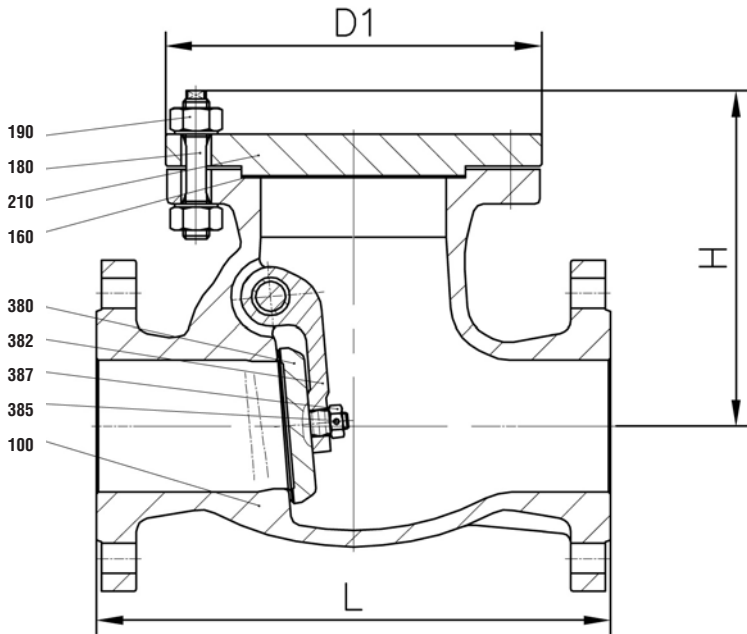
Design Highlights

- Hard faced integral body seat with 13 % or 17 % Cr-steel
- Shut-off disc with curved journal within the lever
- The lever rests on the hinge pin by means of a separate bearing bush

Benefits

- Extremely resistant to wear
- To improve movability and therefore to improve the adjustment of the disc to the body seat
- Improved resistance to wear by means of proper material selection

■ **Swing check valves** ■ 640 AA ■ PN 10-40 ■ DN 50-250



■ **Swing check valves** ■ **640 AA** ■ **PN 10-40** ■ **DN 50-250**

Materials

Pos.	Component	1.0619 (11)
100	Body welded on with	1.0619 Cr17
160	▶ Gasket	Graphite ²⁾
180	Screw bolt	1.1181
190	Hexagonal nut	1.1181
210	Cover	1.0460
380	▶ Disc welded on with	1.4021 ¹⁾
382	▶ Hinge	1.0425
385	▶ Pint	1.4370
387	▶ Hexagonal nut	1.1181
405	▶ Hinge pin	1.4021
411	▶ Guide bushing	1.4006
469	▶ Gasket	2.4066
470	Screw plug	1.7709
	▶ Spare parts	
	Further materials on request.	
	1) ≥ DN 125 1.0460 welded on with Cr17	
	2) ≥ DN 150 grooved with graphite layer	

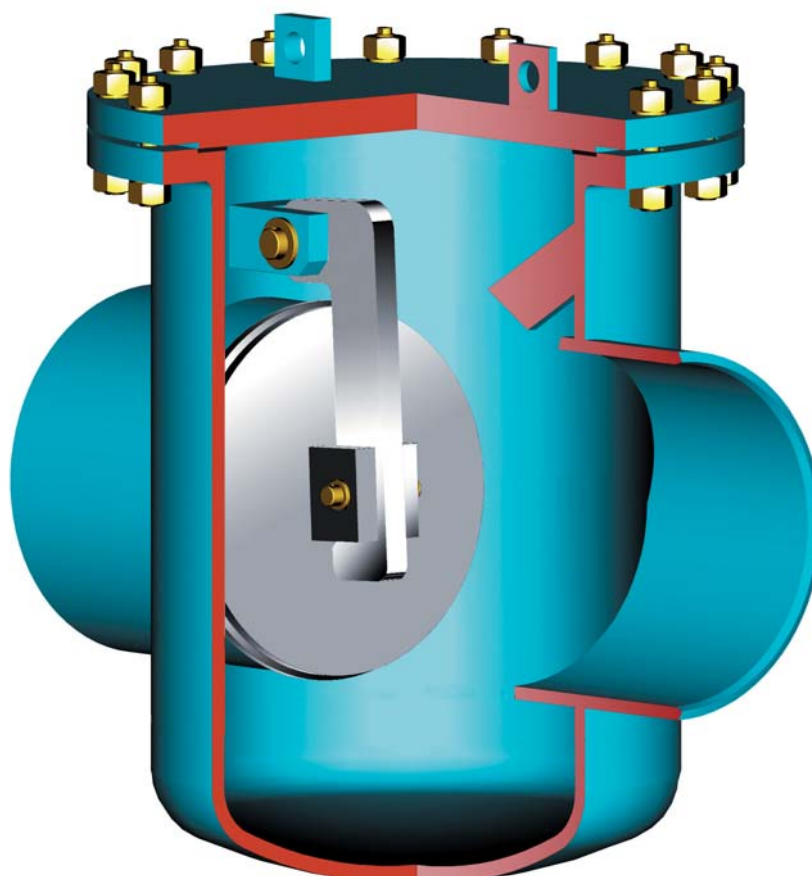
Dimensions/mm

DN	L	H	D
50	230	165	172
65	290	185	212
80	310	210	227
100	350	225	257
125	400	255	292
150	480	310	327
200	600	370	412
250	730	435	462

Weights/kg and Kvs-values

DN	Flange	BW-Ends	Kvs (m ³ /h)
50	19	13	
65	31	23	170
80	36	27	256
100	52	39	400
125	70	53	625
150	104	82	900
200	146	108	1600
250	289	249	2500

▪ **Swing check valves** ▪ VALTRA Swing check valve ▪ 640 AA ▪ PN 10-40 ▪ DN 300-800



Range of application

Admissible operating pressure [bar] at design temperature [°C] ¹⁾

Material	PN	-10	20	100	120	200	250	300	350	400
P265GH	10	10	10	10	10	9	8	7	6	5
	16	16	16	16	16	14	13	11	10	8
	25	25	25	25	25	22	20	17	16	13
	40	40	40	40	40	35	32	28	24	21

1) Operating temperature = design temperature minus temperature surcharge acc. to DIN regulations.

■ **Swing check valves** ■ VALTRA Swing check valve ■ 640 AA ■ PN 10-40 ■ DN 300-800

Standard features

- Disc with inside shaft
- Body pressed-plate welding construction

Fields of application

Chemical industries, power plants, ship building and other

Pressure and temperature ratings

- Pressure rating up to 40 bar
- Temperature rating up to +400° C

Werkstoff

- P265GH

Further materials on request

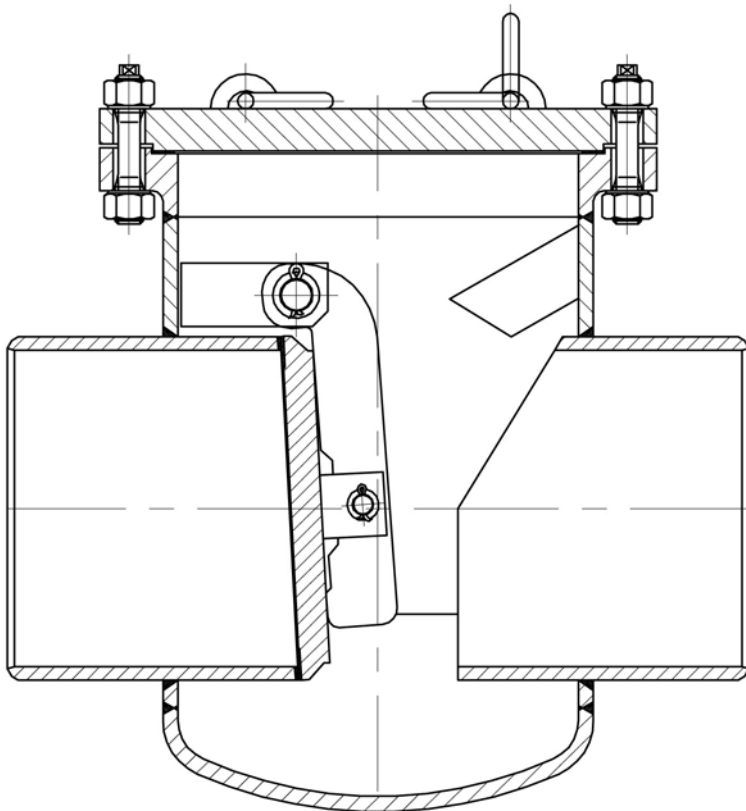
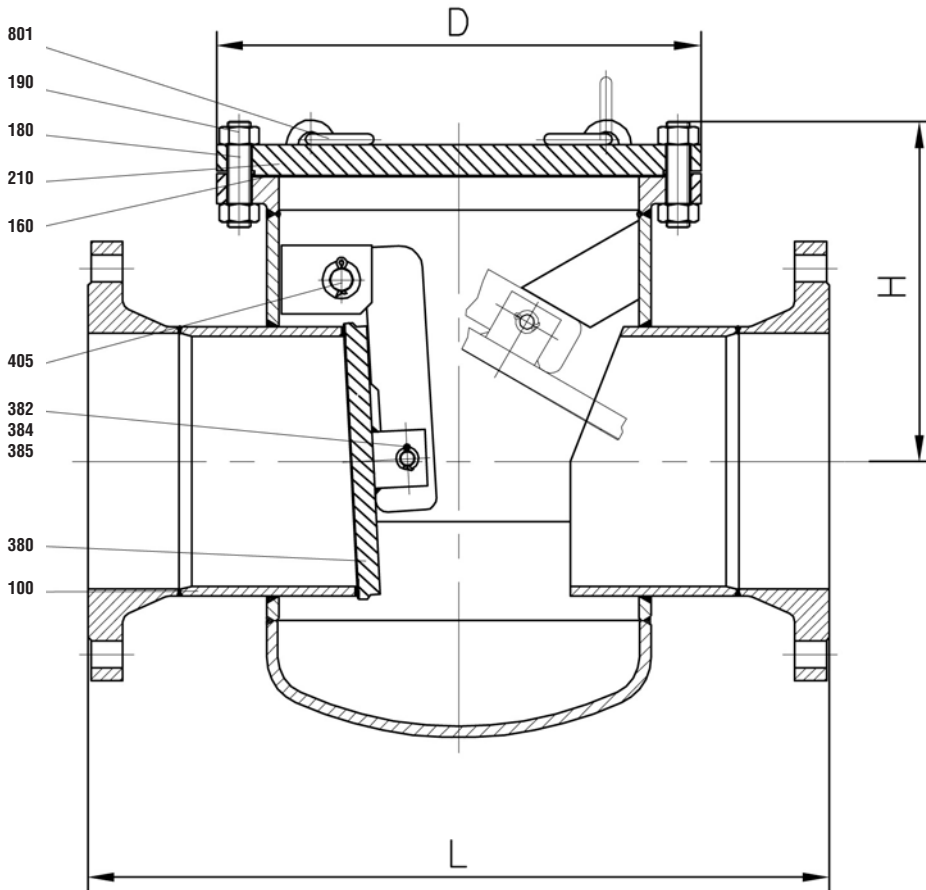
Design Highlights

- Body- and disc seat welded on
- Disc with flexible shaft at the hinge
- Lever rests on the hinge pin by means of a separate bushing
- Inside shaft

Benefits

- Extremely resistant to wear
- Optimum adjustment of the disc to the body seat
- Improved resistance to wear by means of an optimal material selection
- Limited leakage due to less sealings

■ **Swing check valves** ■ VALTRA Swing check valve ■ 640 AA ■ PN 10-40 ■ DN 300-800



■ **Swing check valves** ■ VALTRA Swing check valve ■ 640 AA ■ PN 10-40 ■ DN 300-800

Materials

Pos.	Component	P265GH (22)
100	Body welded on with	P265GH
160	▶ Gasket	X20CrMo171 grooved with graphite layer 1.4541
180	Screw bolt	1.7158
190	Hexagonal nut	1.7158
210	Cover	P265GH
380	▶ Disc	P265GH
382	welded on with	X8CrTi18
384	▶ Hinge	S235JRG2
385	▶ Bushing	GG 25
405	▶ Pint	A2-70
801	▶ Hinge pin	1.4021
	Lifting eye bolt	S355J2G3
	▶ Spare parts	
	Further materials on request.	

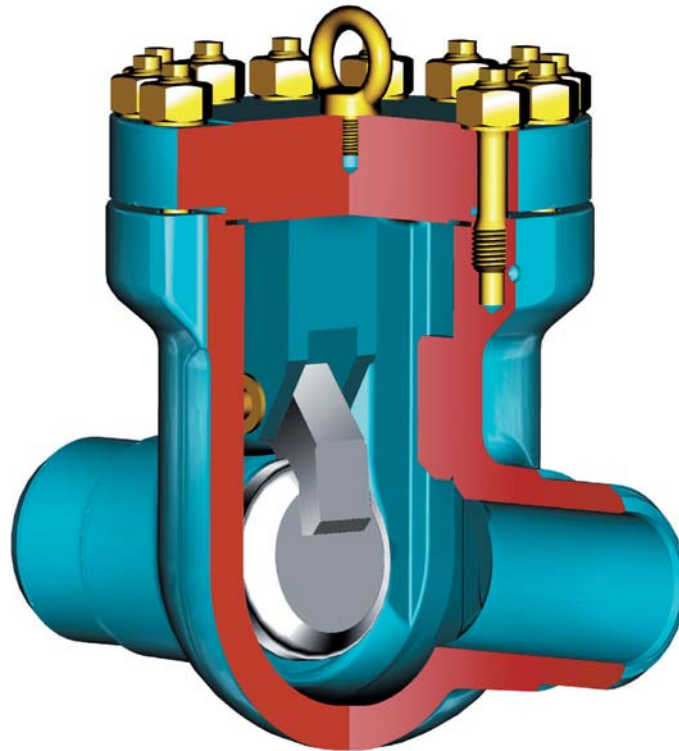
Dimensions/mm

DN	PN 10-16	PN 25-40	PN 10-16	PN 25	PN 40	PN 10-16	PN 25	PN 40
	L	L	H	H	H	D	D	D
300	700	850	385	415	435	525		525
350	800	980	430	450	485	630		640
400	900	1100	500	540	595	745		755
500	1100	1250	585	615	670	870	870	890
600	1300	1450				1040		1040
700								
800								

Weights/kg and Kvs-values

DN	PN 10	PN 16	PN 25	PN 40	PN 10	PN 16	PN 25	PN 40	Kvs (m ³ /h)
	FL	FL	FL	FL	BW	BW	BW	BW	
300	275	285	350	430	255	255	305	355	3600
350	380	395	475	550	335	345	395	445	4900
400	560	575	735	895	525	525	365	745	6400
500	910	945	1180	1300	860	860	1040	1125	9996
600									14395
700									19593
800									25591

■ **Swing check valves** ■ 640 AA ■ PN 63-160 (PD 18) ■ DN 50-300/250



Range of application

FL- Version Material	Admissible operating pressure [bar] at design temperature [°C] ¹⁾																
	PN	-10	20	100	150	200	250	300	350	400	450	500	510	520	530	540	550
1.5415	63	63	63	63	63	63	63	53	50	47	45	29	22	16	14		
1.7335	63	63	63	63	63	63	63	63	61	58	56	47	40	32	25	20	15
1.7380	63	63	63	63	63	63	63	63	61	58	56	47	40	32	28	24	20

1) Operating temperature = design temperature minus temperature surcharge acc. to DIN regulations.

FL- Version Material	Admissible operating pressure [bar] at design temperature [°C] ¹⁾																
	PN	-10	20	100	150	200	250	300	350	400	450	500	510	520	530	540	550
1.5415	100	100	100	100	100	100	100	87	78	74	70	45	34	27	22		
1.7335	100	100	100	100	100	100	100	95	91	87	74	62	49	38	31	24	
1.7380	100	100	100	100	100	100	100	95	91	87	74	62	49	43	37	31	

1) Operating temperature = design temperature minus temperature surcharge acc. to DIN regulations.

FL- Version Material	Admissible operating pressure [bar] at design temperature [°C] ¹⁾																
	PN	-10	20	100	150	200	250	300	350	400	450	500	510	520	530	540	550
1.5415	160	160	160	160	160	160	160	139	125	118	112	72	55	43	35		
1.7335	160	160	160	160	160	160	160	160	153	146	139	118	100	79	62	46	35
1.7380	160	160	160	160	160	160	160	153	146	139	118	100	79	70	61	52	

1) Operating temperature = design temperature minus temperature surcharge acc. to DIN regulations.

BW- Ends Material	Admissible operating pressure [bar] at design temperature [°C] ¹⁾																										
	PD	120	150	200	250	300	350	400	420	430	440	460	470	480	490	500	510	520	530	540	550	560	570	580	590	600	
1.5415	18	219	204	185	170	146	141	136	134	133	132	130	129	128	112	88	67	53	42								
1.7335	18	228	219	205	194	180	170	161	156	155	153	150	149	148	147	133	112	89	72	58	46	37	30				
1.7380	18	233	224	210	205	194	180	170	166	164	262	159	156	155	153	131	115	100	88	76	66	56	50	43	37	33	

1) Operating temperature = design temperature minus temperature surcharge acc. to DIN regulations.

▪ **Swing check valves** ▪ 640 AA ▪ PN 63-160 (PD 18) ▪ DN 50-300/250

Standard features

- Die-forged body
- Disc with inside shaft

Fields of application

Chemical industries, power plants, ship building and other

Pressure and temperature ratings

- Pressure rating BW-Ends up to 233 bar (PD 18)
- Pressure rating FL up to 160 bar
- Temperature rating up -10° C to +600° C

Materials

- 1.5415
- 1.7335
- 1.7380

Further materials, e.g. **F92** on request

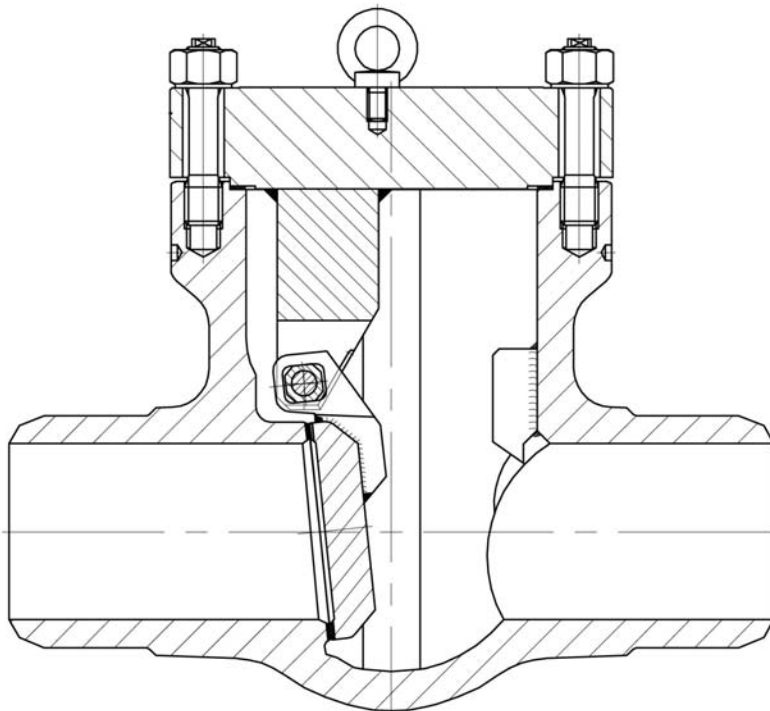
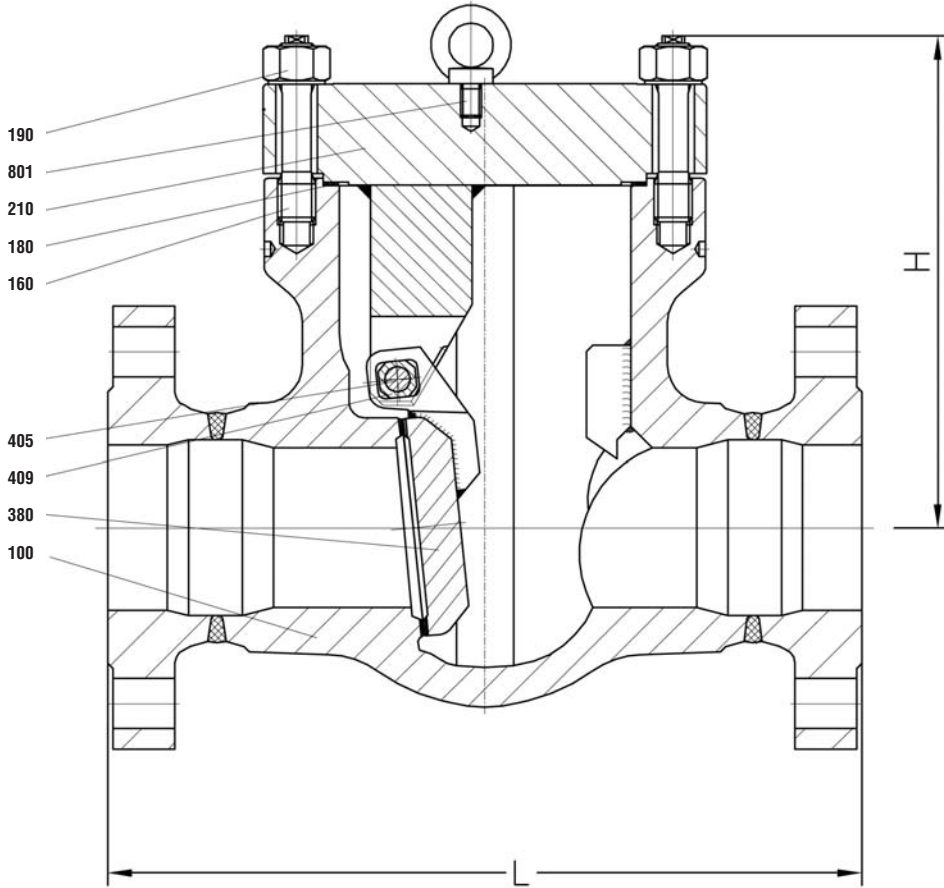
Design Highlights

- Die-forged body
- Seats welded on integrately with stellite
- Lever rests on the hinge pin by means of the guide bush
- Bolted bonnet with reduced-shaft bolts

Benefits

- Free from porosity and shrink holes
- No crevice corrosion between seat and valve body
- Optimum adjustment of the disc to the body seat by means of the movability the guide bushing of
- To improve the stress capacity when temperature and pressure changes

■ **Swing check valves** ■ 640 AA ■ PN 63-160 (PD 18) ■ DN 50-300/250



■ **Swing check valves** ■ **640 AA** ■ **PN 63-160 (PD 18)** ■ **DN 50-300/250**

Materials				
Pos.	Component	1.5415 (42)	1.7335 (44)	1.7380 (45)
100	Body welded on with	1.5415 Stellite	1.7335 Stellite	1.7380 Stellite
160	▶ Gasket	Graphite	Graphite	Graphite
180	Screw bolt	1.7709	1.7709	1.7709
190	Hexagonal nut	1.7258	1.7258	1.7258
210	Cover	1.5415	1.7335	1.7380
380	▶ Disc welded on with	1.5415 Stellite	1.7335 Stellite	1.7380 Stellite
405	▶ Hinge pin	1.4021	1.4021	1.4021
409	▶ Guide bush	0.7040	0.7040	0.7040
801	Lifting eye bolt	1.0401	1.0401	1.0401
	▶ Spare parts			

Dimensions/mm						
DN	PN 63-100	PN 160	PN 63-100	PN 160	H	D
	L-FL	L-FL	L-BW	L-BW		
50	300	300	250	300	220	192
65/50	340	360	340	360	220	192
80	380	390	380	390	280	236
100	430	450	430	450	320	265
125/100	500	525	500	525	320	265
150	550	600	550	600	410	350
200	650	750	650	750	510	440
250	775	900	775	900	595	550
300/250	900	1050	900	1050	595	550

Weights/kg		
DN	Flange	BW
50	45	35
65/50	53	43
80	83	63
100	105	100
125/100	111	106
150	270	220
200	425	365
250	525	750
300/250	610	800