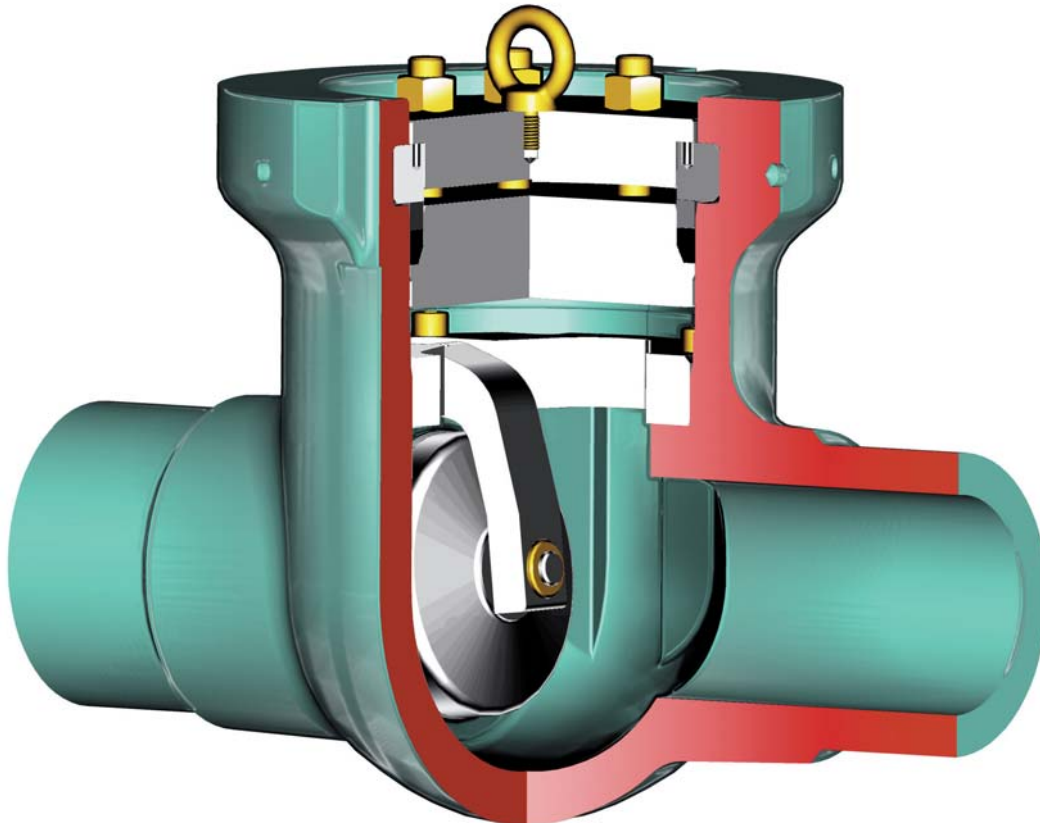


- High pressure swing check valves
- DRI 21
- 640 AB
- PD 21
- DN 50-300/250



Range of application

BW-Ends Material	PD	Admissible operating pressure [bar] at design temperature [°C] ¹⁾																											
		120	150	200	250	300	350	400	410	420	430	440	450	460	470	480	490	500	510	520	530	540	550	560	570	580	590	600	
1.5415	21	259	241	219	201	173	169	167	160	158	157	156	155	154	153	151	132	104	79	63	50								
1.7335	21	270	259	242	230	213	201	190	188	184	183	181	179	177	176	175	174	157	132	105	85	69	54	44	35				
1.7380	21	275	265	248	242	229	213	201	199	196	194	192	190	188	184	183	181	155	136	118	104	90	78	66	59	51	44	39	

¹⁾ Operating temperature = design temperature minus temperature surcharge acc. to DIN regulations.

■ **High pressure Swing check valves** ■ DRI 21 ■ 640 AB ■ PD 21 ■ DN 50-300/250

Standard features

- Valve body made of forged steel with welded seat ring, welded on with stellite
- Pressure sealing bonnet

Fields of application

High temperature steam and water, Refining (Catalytic reformers and Hydrocrackers), Petrochemical and Chemical Industries

Pressure and temperature ratings

- Pressure rating up to 275 bar
- Temperature rating up to +600° C

Materials

- 1.5415
- 1.7335
- 1.7380

Further materials, e.g. **F92** on request

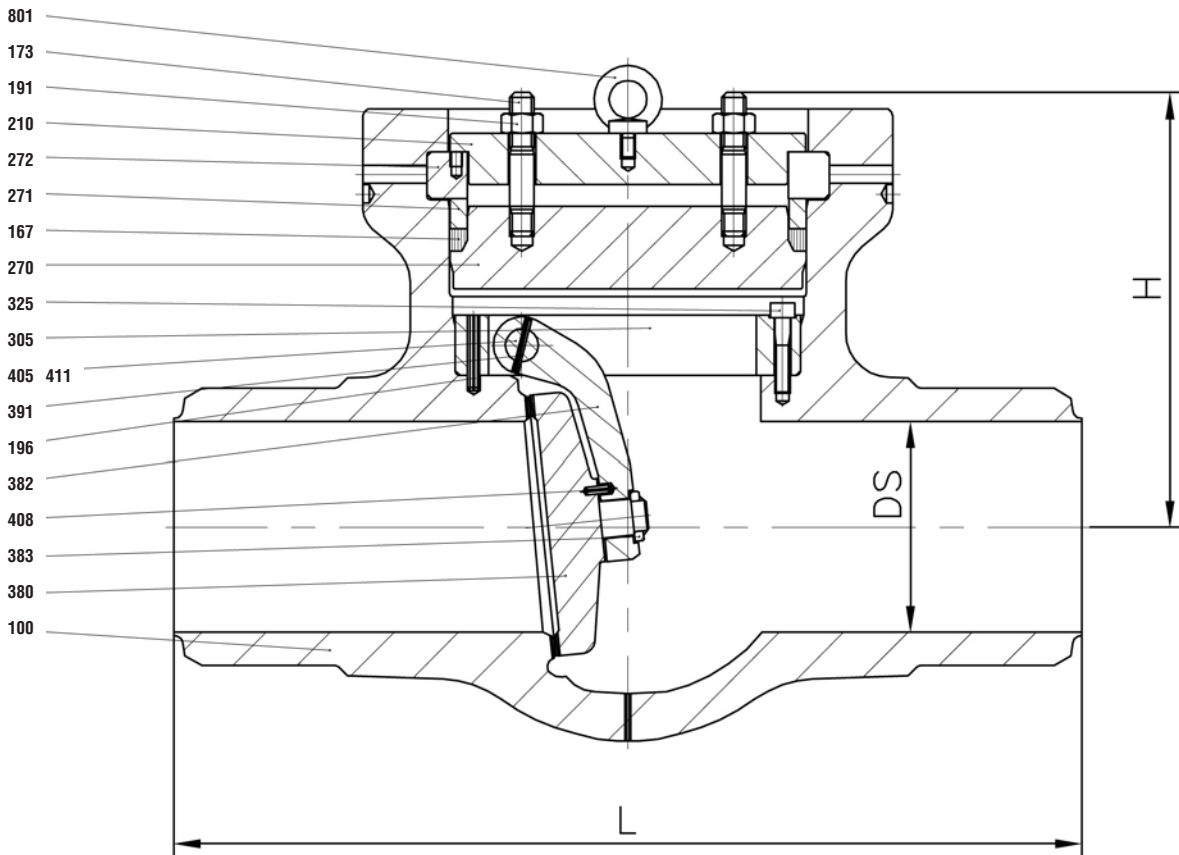
Design Highlights

- Valve body made of forged steel
- Seats faced with stellite
- Lever rests in a separate support ring

Benefits

- Free from porosity and shrink holes
- Extremely resistant to wear
- The setting of the disc can be examined before installing the bonnet cover

■ High pressure swing check valves ■ DRI 21 ■ 640 AB ■ PD 21 ■ DN 50-300/250



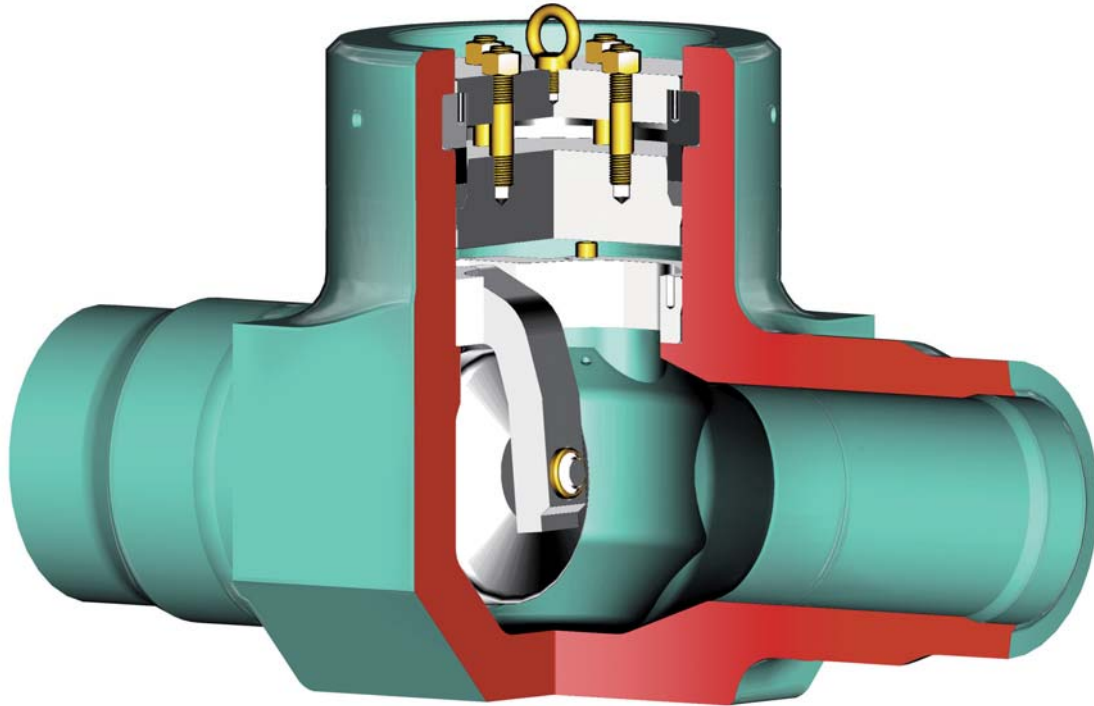
■ High pressure swing check valves ■ DRI 21 ■ 640 AB ■ PD 21 ■ DN 50-300/250

Materials				
Pos.	Component	1.5415 (42)	1.7335 (44)	1.7380 (45)
100	Body	1.5415	1.7335	1.7380
	welded on with	Stellite	Stellite	Stellite
167	Gasket	Graphite	Graphite	Graphite
173	Stud	1.7709	1.7709	1.7709
191	Hexagonal nut	1.7258	1.7258	1.7258
196	Tension pin	1.4370	1.4370	1.4370
210	Cover	1.5415	1.7335	1.7380
270	Cover	1.5415	1.7335	1.7380
271	Ring	1.5415	1.7335	1.7380
272	Segment ring	1.5415	1.7335	1.7380
305	▶ Body	1.5415	1.7335	1.7380
325	Cylindrical screw	A4	A4	A4
380	▶ Disc	1.5415	1.7335	1.7380
	welded on with	Stellite	Stellite	Stellite
382	▶ Hinge	1.5415	1.7335	1.7380
383	▶ Washer	1.0460	1.7335	1.7380
391	Tension pin	1.4310	1.4310	1.4310
405	▶ Hinge pin	1.4923	1.4923	1.4923
408	Tension pin	1.4310	1.4310	1.4310
411	Guide bush	0.7040	0.7040	0.7040
801	Lifting eye bolt	1.0401	1.0401	1.0401
	▶ Spare parts			

Dimensions/mm			
DN	DS	L	H
50	47	300	150
65/50	47	360	150
65/80	74	390	190
80	74	390	190
100/80	74	450	190
100	95	450	215
125/100	95	525	215
125/150	139	525	280
150	139	600	280
175/150	139	675	280
200/150	139	750	280
175/200	183	675	360
200	183	750	360
225/200	183	852	360
250/200	183	900	360
225/250	228	825	435
250	228	900	435
275/250	228	975	435
300/250	228	1050	435

Weights/kg	
DN	BW-Ends
50	35
65/50	
65/80	
80	63
100/80	
100	100
125/100	
125/150	
150	220
175/150	
200/150	
175/200	
200	365
225/200	
250/200	
225/250	
250	750
275/250	
300/250	

■ High pressure swing check valves ■ DRI 25-63 ■ 640 AB ■ PD 25-63 ■ DN 50-500



Range of application

BW-Ends Material	PD	Admissible operating pressure [bar] at design temperature [°C] ¹⁾																																			
		120	150	200	250	300	350	400	410	420	430	440	450	460	470	480	490	500	510	520	530	540	550	560	570	580	590	600	610	620	630	640	650				
1.5415	25	300	300	280	258	221	213	206	205	203	202	200	199	197	196	194	170	132	101	79	64																
	32	385	385	358	330	283	273	264	262	260	258	256	255	253	251	249	217	170	129	102	81																
	40	480	480	448	413	354	342	330	328	325	323	321	318	316	314	311	272	212	161	127	102																
	63*																																				
1.7335	25	300	300	300	294	272	258	243	240	237	234	231	228	227	225	224	222	202	170	134	109	88	69	57	46												
	32	385	385	385	377	349	330	311	307	304	300	296	292	290	289	287	285	258	217	172	140	113	88	72	59												
	40	481	481	481	471	436	413	389	384	380	375	370	365	363	364	358	356	323	272	215	175	141	110	91	74												
	63*																																				
1.7380	25	300	300	300	300	294	272	258	255	252	249	246	243	240	237	234	224	199	174	152	132	115	100	85	75	65	56	49									
	32	384	384	384	384	377	349	330	326	322	319	315	311	307	304	300	287	255	223	194	170	147	128	109	96	83	72	63									
	40	480	480	480	480	471	436	413	408	403	398	384	389	384	379	375	358	318	278	243	212	184	160	137	120	104	90	79									
	63*																																				
1.6368	25	410	410	410	410	410	410	410	410	410	410	402	360	309	257	205	153	102																			
	32	525	525	525	525	525	525	525	525	525	525	515	482	396	330	262	196	130																			
	40	657	657	657	627	657	657	657	657	657	657	643	577	495	412	328	245	163																			
	63*																																				
1.4903	25	425	425	425	425	425	425	425	425	425	425	425	425	425	425	418	383	372	344	316	290	263	238	213	191	169	150	132	115	100	85	75	65				
	32	544	544	544	544	544	544	544	544	544	544	544	544	544	544	536	490	477	441	405	371	338	305	273	245	217	192	170	147	128	109	96	83				
	40	680	680	680	680	680	680	680	680	680	680	680	680	680	680	669	613	596	552	507	464	422	382	342	306	271	240	212	184	160	137	120	104				
	63*																																				

1) Operating temperature = design temperature minus temperature surcharge acc. to DIN regulations. * Design according to working data

■ **High pressure swing check valves** ■ DRI 25-63 ■ 640 AB ■ PD 25-63 ■ DN 50-500

Standard features

- Valve body made of forged steel with welded seat ring, welded on with stellite
- Pressure sealing bonnet

Fields of application

High temperature steam and water, Refining (Catalytic reformers and Hydrocrackers), Petrochemical and Chemical Industries

Pressure and temperature ratings

- Pressure rating up to 680 bar
- Temperature rating up to 650° C

Materials

- 1.5415
- 1.7335
- 1.7380
- 1.6368
- 1.4903

Further materials, e.g. **F92** on request

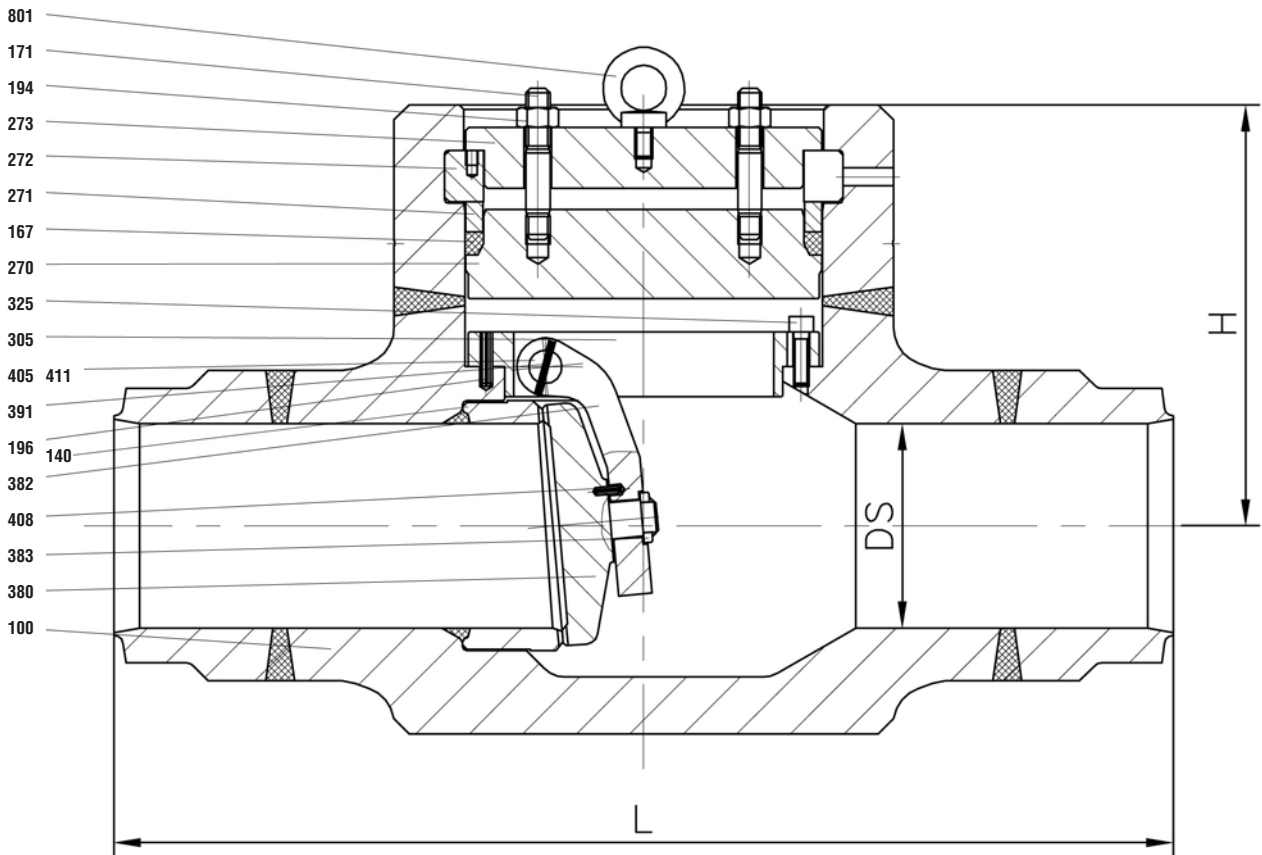
Design Highlights

- Valve body made of forged steel
- Seats faced with stellite
- Lever rests in a separate support ring

Benefits

- Free from porosity and shrink holes
- Extremely resistant to wear
- The setting of the disc can be examined before installing the bonnet cover

■ High pressure swing check valves ■ DRI 25-63 ■ 640 AB ■ PD 25-63 ■ DN 50-500



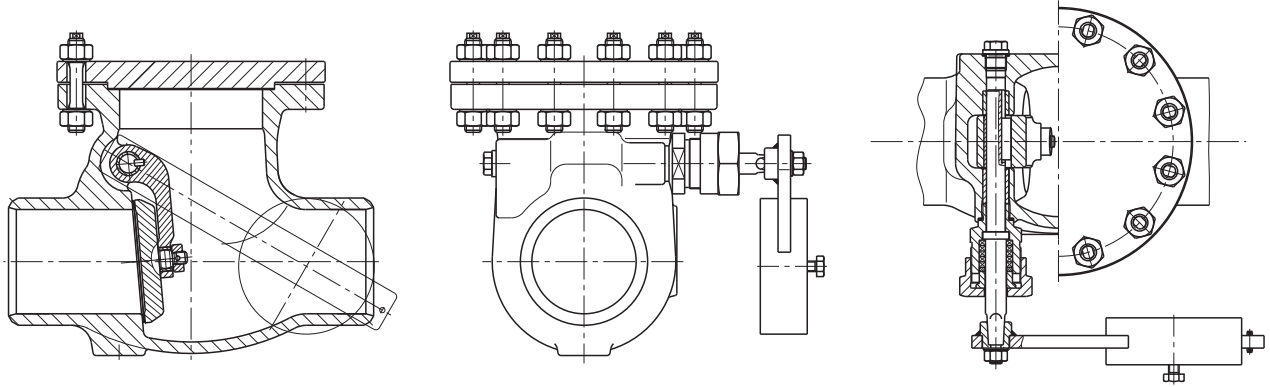
■ High pressure Swing check valves ■ DRI 25-63 ■ 640 AB ■ PD 25-63 ■ DN 50-500

Materials						
Pos.	Component	1.5415 (42)	1.7335 (44)	1.7380 (45)	1.6368 (46)	1.4903 (63)
100	Body	1.5415	1.7335	1.7380	1.6368	1.4903
140	Seat ring	1.5415	1.7335	1.7380	1.6368	1.4903
	welded on with	Stellite	Stellite	Stellite	Stellite	Stellite
167	▶ Gasket	Graphite	Graphite	Graphite	Graphite	Graphite
171	Stud	1.7709	1.7709	1.7709	1.7709	1.7709
194	Hexagonal nut	1.7258	1.7258	1.7258	1.7258	1.7258
196	Tension pin	1.4310	1.4310	1.4310	1.4310	1.4310
270	Cover	1.5415	1.7335	1.7380	1.6368	1.4903
271	Ring	1.5415	1.7335	1.7380	1.6368	1.4903
272	Segment ring	1.5415	1.7335	1.7380	1.6368	1.4903
273	Cover	1.5415	1.7335	1.7380	1.7380	1.7380
305	▶ Body	1.5415	1.7335	1.7380	1.7380	1.4903
325	Cylindrical screw	A4	A4	A4	A4	A4
380	▶ Disc	1.5415	1.7335	1.7380	1.6368	1.4903
	welded on with	Stellite	Stellite	Stellite	Stellite	Stellite
382	▶ Hinge	1.5415	1.7335	1.7380	1.7380	1.4903
383	▶ Washer	1.0460	1.7335	1.7380	1.6368	1.4923
391	Tension pin	1.4310	1.4310	1.4310	1.4310	1.4310
405	▶ Hinge pin	1.4923	1.4923	1.4923	1.4923	1.4923
408	Tension pin	1.4310	1.4310	1.4310	1.4310	1.4310
411	▶ Guide bush	0.7040	0.7040	0.7040	0.7040	0.7040
801	Lifting eye bolt	1.0401	1.0401	1.0401	1.0401	1.0401
	▶ Spare parts					

Dimensions/mm and Weights/kg										
DN	DS	L	DRI 25		DRI 32		DRI 40		DRI 63	
			H	kg	H	kg	H	kg	H	kg
50/65	59,0	350	205		205		205			
65	59,0	425	205	65	205	65	205	65	On request	
80/65	59,0	470	205		205		205			
80	72,0	470	240	110	240	110	240	110		
100/80	72,0	550	240		240		240			
100	90,0	550	285	140	285	140	285	140		
125/100	90,0	650	285		285		285			
125	112,5	650	355	180	355	180	355	180		
150/125	112,5	750	355		355		355			
150	135,0	750	420	240	420	240	420	240		
175/150	135,0	850	420		420		420			
175	157,5	850	330	365	390	365	420	620		
200/175	157,5	950	330		390		420			
200	180,0	950	365	460	420	620	450	735		
225/200	180,0	1050	365		420		450			
225	202,5	1050	420	675	450	735	480	870		
250/225	202,5	1150	420		450		510			
250	225,0	1150	470	835	480	1210	510	1500		
300/250	225,0	1350	470		480		590			
300	270,0	1350	535	1115	540	1880	590	2120		
350/300	270,0	1550	535		540		680			
350	315,0	1550	580	1765	640	2350	680	2820		
400/350	315,0	1750	580		640		780			
400	360,0	1750	660	3150	740	3050	780	3520		
450/400	360,0	1950	660		740					
450	405,0	1950	750		820					
500/450	405,0	2150	750		820					
500	450,0	2150								

■ **Swing check valves** ■ **Variants**

Swing check valve with lever and weight



Swing check valve with damping unit

