

# Model 1400

## Description

Type	Safety and Relief valve	
Connections / Rating	Flanged EN 1092	PN-16 / 25 / 40 / 63 / 100
Material	Nodular Iron, Carbon steel, Stainless steel and Duplex Temperature range: -28°C to +455°C	

## Technical information

Applications	Steam, gases, vapours and liquids
Min. Set pressure	0,2 barg; With bellows 2 barg
Seat	metal-metal, PTFE, Viton and Stellite
Overpressure	10% for steam, gas and vapour 20% fire exposure, 25% for liquids
Blowdown	10%
Tolerance Set pressure	± 3%

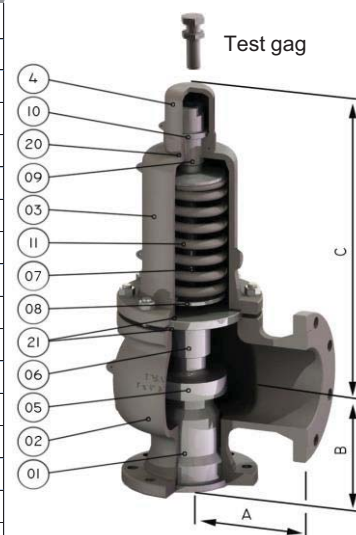
## Requirements

Calculation	EN-4126-1 / 7
Design / Size	EN-12516-1, EN-4126-1 / 7
Materials	EN / ASTM
Inspection	EN-4126-1 / 7 API 527 MSS-SP-55
Tolerances	EN-4126-1 y ASME UG-126

## Construction and materials

Item	Description	15 x 25 to 25 x 40 PN 16/25 Carbon steel	32 x 50 to 400 x 500 PN 16/25 Nodular iron	15 x 25 to 400 x 500 PN 40/63/100 carbon steel	15 x 25 to 400 x 500 PN 16 to 100 Stainless steel
1	Nozzle	AISI-316L	A351 CF-8	A351 CF-8	A351 CF-8
2	Body	C.S. 1.0619	EN-JS1030	C.S. 1.0619	1.4409
3	Bonnet	C.S. 1.0619	EN-JS1030	C.S. 1.0619	1.4409
4	Cap	A351 CF-8	A351 CF-8	A351 CF-8	A351 CF-8
5	Disc	AISI-316L	AISI-316L	AISI-316L	AISI-316L
6	Guide	AISI-304	AISI-304	AISI-304	AISI-304
7	Push Road	AISI-316L	AISI-316L	AISI-316L	AISI-316L
8	Spring Button	Carbon steel	Carbon steel	Carbon steel	AISI-303
9	Ajusting Screw	AISI-303	AISI-303	AISI-303	AISI-303
10	Lock Nut	AISI-303	AISI-303	AISI-303	AISI-303
11	Spring	1.8159 C. steel	1.8159 C. steel	1.8159 C.steel	AISI-302
12	Lever	A 351 CF 8	A 351 CF 8	A 351 CF 8	A351 CF-8
17	Release nut	AISI-303	AISI-303	AISI-303	AISI-316
18	Lever axis	AISI-303	AISI-303	AISI-303	AISI-303
19	Packing lever axis	AISI-303	AISI-303	AISI-303	AISI-303
20	Gasket cap	PTFE	PTFE	PTFE	PTFE
21	Gasket bonnet	GRAPHITE +S.S	GRAPHITE +S.S	GRAPHITE+SS	GRAPHITE+SS
22	Gasket pack. lever	Viton	Viton	Viton	Viton
27	Bellow	AISI-316 Ti	AISI-316 Ti	AISI-316 Ti	AISI-316 Ti
28	Soft seat	Viton / PTFE	Viton / PTFE	Viton / PTFE	Viton / PTFE

 Recommended spare parts



## Options

Lifting device



Sealed packing lever



Open bonnet



Soft seat



Bellows



## Model 1400

### Dimensions

	Orif. (mm)	Area (mm <sup>2</sup> )	PN 16				PN 25				PN 40			
			(mm)			Weight (kg)	(mm)			Weight (kg)	(mm)			Weight (kg)
			A	B	C	W	A	B	C	W	A	B	C	W
15 x 25	13	133	95	95	275	10	95	95	275	10	95	95	275	10
20 x 25	13	133	95	95	275	10	95	95	275	10	95	95	275	10
25 x 40	23,8	445	100	105	280	12	100	105	280	12	100	105	280	12
32 x 50	29,5	683	110	115	325	15	110	115	325	15	110	115	325	15
40 x 65	36	1018	115	140	325	19	115	140	325	19	115	140	325	19
50 x 80	46	1662	120	150	460	29	120	150	460	29	120	150	460	29
65 x 100	60	2827	140	170	460	36	140	170	460	36	140	170	460	36
80 x 125	72	4072	160	195	590	58	160	195	590	58	160	195	590	58
100 x 150	90	6362	180	220	630	85	180	220	630	85	180	220	630	85
125 x 200	105	8659	200	250	690	140	200	250	690	140	200	250	690	140
150 x 200	125	12.272	•	•	•	•	•	•	•	•	241	240	695	160
150 x 250	125	12.272	225	285	715	150	225	285	715	150	•	•	•	•
200 x 250	153	18.385	•	•	•	•	•	•	•	•	279	276	815	195
200 x 300	153	18.385	300	290	815	200	•	•	•	•	•	•	•	•
250 x 350	200	31.415	406	305	1.390	750	•	•	•	•	•	•	•	•
300 x 400	228	40.828	406	359	1.432	850	•	•	•	•	•	•	•	•
400 x 500	304	72.950	533	432	1.943	900	•	•	•	•	•	•	•	•

	Orif. (mm)	Area (mm <sup>2</sup> )	PN 63				PN 100					
			(mm)			Weight (kg)	(mm)			Weight (kg)		
			A	B	C	W	A	B	C	W		
15 x 25	9,6 /13	71/133	95	95	275	11	9,6 /13	71/133	95	95	275	11
20 x 25	9,6 /13	71/133	95	95	275	11	9,6 /13	71/133	95	95	275	11
25 x 50	20	314	140	105	315	25	16	201	140	105	315	25
32 x 50	23,8	445	140	105	315	30	20	314	140	105	315	30
40 x 65	26	531	165	124	430	30	23,8	445	165	124	430	30
50 x 80	32	804	162	154	400	35	32	804	162	154	400	35
65 x 100	48	1.809	140	170	460	66	39	1.194	140	170	460	66